

Servo Motor Selection Manual



COMPANY PROFILE

CTB Co., Ltd. was established in 2008, focusing on the field of intelligent manufacturing, providing core components such as servo motors, torque motors, motorized spindles, and professional automation servo control solutions. The company has two wholly-owned subsidiaries, Beijing CTB technology Co., Ltd. (established in 2000) and Shandong CTB Intelligent Equipment Co., Ltd. (established in 2017).

The company is a national high-tech enterprise, a national specialized and innovative "little giant" enterprise, and a listed enterprise on the New Third Board. The company has been recognized as a "National Green Factory" and a "Smart Factory" in Beijing. It is a Beijing patent demonstration unit, a Beijing enterprise technology research and development institution, and a Beijing enterprise technology center.

The company's products include a full range of industrial automation products such as AC servo motors, AC servo drives, PLC, motion controllers, core functional components such as torque motors, motorized spindles, direct drive turntables. The core technology has reached the international advanced level, and key products can replace imported similar products, widely used in CNC machine tools, industrial robots, industrial automation and other fields.

The company has core technologies with independent intellectual property rights, over 300 patents and software copyrights, including more than 30 invention patents. Its servo control system technology is at the leading level in China, and it has mastered core technologies such as servo control space vector algorithm, control software development, servo drive design, servo motor electromagnetic design, and manufacturing processes.

The company has two intelligent equipment industrial parks in Beijing and Shandong, with a business area of 100000 square meters. Advanced equipment, strict management, sufficient production capacity, and strong production and supply capabilities. There are 30 offices nationwide, with a sales and service network covering the north and south of China, providing efficient and professional pre-sales, in sales, and after-sales services for our customers.



CONTENTS

Z18 Servo Spindle Motor	P 03
Z18B Servo Motor with Brake	P 12
Z18P Two Speed Servo Spindle Motor	P 21
Z18H Series High speed servo spindle motor	P 26
Z18L Through-Spindle Coolant Servo Spindle Motor	P 30
S18 Permanent Magnet Synchronous Servo Motor	P 34
S18B Series Universal servo motor	P 39
P18S series high response permanent magnet synchronous servo motor	P 43
HPM series low-speed high torque direct drive servo motor	P 49
PWM series high seismic permanent magnet synchronous servo motor	P 54
PDM Series Direct Drive Motors for Screw Presses	P 58
YH Series AC Asynchronous Servo Motors for Slides	P 61

Z18 Servo Spindle Motor

- ◆ Power range: 1.1 ~ 400kW
- ◆ Pole number: 4, 6, 8
- ◆ Max. speed: 8000r/min
- ◆ Encoder: Built-in (options: incremental, rotary, SinCos, absolute, single-turn absolute encoder)
- ◆ Cooling: Forced air cooling
- ◆ Duty type: Continuous (S1)
- ◆ Installation structure: B3(V5 V6)/B5(V1 V3)/B35(V15 V35)
- ◆ Noise: $\leq 70\text{dB(A)}$
- ◆ IP rating: IP55 (IEC40034-5)
- ◆ Dielectric strength: AC1800V
- ◆ Class of insulation: Class F
- ◆ Class of vibration: A
- ◆ Ambient temperature: -15 to 45°C
- ◆ Ambient humidity: <95%RH (non-condensing)



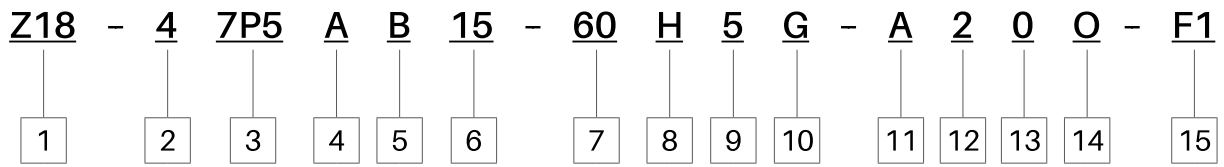
Product Features

- 1、 Optimized structures of stator and rotor models.
- 2、 Closed rotor slots reduce high harmonics and high-speed noise.
- 3、 Absence of casing and built-in air path facilitate efficient heat radiation.
- 4、 Integration of feet with body enhances resistance to vibration.
- 5、 Built-in high precision magnetic encoder facilitates little speed fluctuation.
- 6、 Maintenance-free built-in smart motor data card.

Industry Applications



Model Description (Take 7.5 kW spindle motor for example)



Code	Description	Instructions				Example Model			
1	Product series	Z18: Code of the motor series				Z18 series spindle motor			
2	Voltage rating	2: 200 V 4: 400 V				400 V			
3	Power	See 'Standard Specifications'.				7.5 kW			
4	Encoder	Code	Type of Encoder			Absolute encoder			
		B	None						
		G	Incremental encoder	1024p	2500p		8192P		
		R	Rotary transformer				1024P		
		S	SinCos encoder				2048P		
		A	Absolute encoder				23bit		
		E	single-turn absolute encoder			17bit			
5	Frame code	Frame Code	Flange Size (L×W) mm		Frame Code	Flange Size (L×W) mm		Frame B	
		A	175×175		E	320×320			
		B	205×205		F	380×380			
		C	265×265		G	480×480			
		D	300×300		H	580×580			
6	Basic speed	Code	Speed (rpm)		Code	Speed (rpm)		Basic speed : 1500 rpm	
		05	500		30	3000			
		07	750		40	4000		Speed at constant power: 6000 rpm	
		10	1000		45	4500			
7	Speed at constant power	15	1500		60	6000			
		20	2000		80	8000			
8	Max. speed	Code	Max. Speed (rpm)		Code	Max. Speed (rpm)		Max. speed : 8000 r/min	
		LL	2500		H	8000			
		L	3000		HF	10000			
		LM	4500		F	12000			
		M	6000						
9	Mode of installation	3: Horizontal 5: Flange mounted		35: Horizontal + flange mounted		Flange mounted			
10	Shaft extension	G: Bare shaft J: Splined shaft		Bare shaft					
11	Smart card	A: with N: without		With smart card					
12	Line incoming direction of junction box	2: Right incoming line of junction box 3: Left incoming line of junction box 5: Front line of junction box					Right incoming line of junction box		
13	Incoming line of junction box	0: Standard junction box + black encoder plug 1: Standard junction box + aerospace encoder plug 2: Waterproof junction box + black encoder plug 3: Waterproof junction box + aerospace encoder plug					Standard junction box + black encoder plug		
14	Export marking	O: Export motor (not for motors sold nationwide)					Export product		
15	Code of nonstandard motor part	F1: Shaft extension F4: Stator F7: Encoder		F2: Flange F5: Fan		F3: Feet F6: Junction box			

Electrical Specifications

Frame Code	Motor Model	Rated Power kW	Power for Duty S3 kW	Rated Torque N-m	Torque for Duty S3 N-m	Rated Current A	Rated Voltage V	Pole No. P	Rated Frequency Hz	Rated Speed r/min	Max. Speed at Constant Power r/min	Max. Speed r/min	Rotational Inertia kg·m ²	Weight kg
Z18A1	Z18-41P1XA15-XXXX	1.1	1.5	7	9.6	2.5 2.7 3.0	380 350 320	4	53.1	1500	3000 4500 6000	8000	0.0034	18
Z18A2	Z18-41P5XA15-XXXX	1.5	2.2	9.6	14	3.3 3.6 4.0	380 345 320	4	53.3	1500	3000 4500 6000	8000	0.0039	20
Z18A3	Z18-42P2XA15-XXXX	2.2	3	14	19.1	4.7 5.0 5.6	380 355 320	4	53	1500	3000 4500 6000	8000	0.0054	24
Z18A4	Z18-43P7XA15-XXXX	3.7	5.5	23.6	35	7.7 8.1 8.7	380 360 335	4	52.6	1500	3000 4500 6000	8000	0.0086	33
Z18B1	Z18-42P2XB10-XXXX	2.2	3.7	21	35.3	4.6 4.8 5.4	380 360 320	4	34.9	1000	2000 3000 4000	6000	0.0154	38
	Z18-43P7XB15-XXXX	3.7	5.5	23.6	35	7.4 8.1 9.3	380 340 300	4	51.8	1500	3000 4500 6000	8000		
Z18B2	Z18-43P7XB10-XXXX	3.7	5.5	35.3	52.5	7.5 8.4 9.3	380 335 305	4	35.1	1000	2000 3000 4000	6000	0.0199	46
	Z18-45P5XB15-XXXX	5.5	7.5	35	47.8	10.7 12.3 13.4	380 330 305	4	51.8	1500	3000 4500 6000	8000		
Z18B3	Z18-45P5XB10-XXXX	5.5	7.5	52.5	71.6	10.9 12.8 14.8	380 325 280	4	35.2	1000	2000 3000 4000	6000	0.0256	57
	Z18-47P5XB15-XXXX	7.5	11	47.8	70	14.4 15.9 18.0	380 345 305	4	51.8	1500	3000 4500 6000	8000		
Z18B4	Z18-46P5XB10-XXXX	6.5	10	62.1	95.5	12.8 14.1 15.9	380 345 305	4	35	1000	2000 3000 4000	6000	0.0325	71
	Z18-49P5XB15-XXXX	9.5	13	60.5	82.8	17.9 20.3 23.9	380 340 290	4	51.8	1500	3000 4500 6000	8000		
Z18C1	Z18-47P5XC10-XXXX	7.5	11	71.6	105	14.4 16.0 18.5	380 340 295	4	34.4	1000	2000 3000 4000	6000	0.0717	93
	Z18-4011XC15-XXXX	11	15	70	95.5	20.6 23.4 27.2	380 335 290	4	51.1	1500	3000 4500 6000	8000		
Z18C2	Z18-47P5XC07-XXXX	7.5	11	95.5	140	14.4 16.4 19.0	380 335 290	4	26.1	750	1500 2200 3000	4500	0.089	111
	Z18-4010XC10-XXXX	10	15	95.5	143	18.7 21.4 24.4	380 335 295	4	34.5	1000	2000 3000 4000	6000		
	Z18-4015XC15-XXXX	15	22	95.5	140	27.4 31.1 37.8	380 340 280	4	51.2	1500	3000 4500 6000	8000		
Z18C3	Z18-4010XC07-XXXX	10	15	127.3	191	19.1 21.8 25.1	380 335 290	4	26.1	750	1500 2200 3000	4500	0.1057	126
	Z18-4013XC10-XXXX	13	18.5	124.2	176.7	24.4 28.1 33.1	380 330 280	4	34.4	1000	2000 3000 4000	6000		
	Z18-4018XC15-XXXX	18.5	26	117.8	166	34.5 38.7 43.4	380 335 300	4	51.1	1500	3000 4500 6000	8000		
Z18C4	Z18-4011XC07-XXXX	11	15	140.1	191	20.8 24.2 28.3	380 330 280	4	26.1	750	1500 2200 3000	4500	0.1186	138

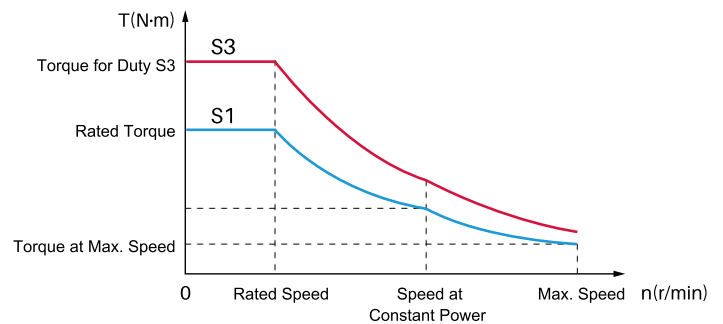
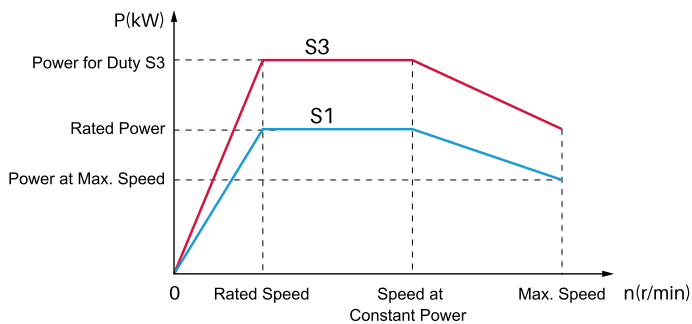
Frame Code	Motor Model	Rated Power kW	Power for Duty S3 kW	Rated Torque N·m	Torque for Duty S3 N·m	Rated Current A	Rated Voltage V	Pole No. P	Rated Frequency Hz	Rated Speed r/min	Max. Speed at Constant Power r/min	Max. Speed r/min	Rotational Inertia kg·m ²	Weight kg
Z18C4	Z18-4015XC10-XXXX	15	22	143.3	210.1	28.3 33.3 36.9	380 315 290	4	34.4	1000	2000 3000 4000	6000	0.1186	138
	Z18-4022XC15-XXXX	22	30	140.1	191	40.5 45.8 52.1	380 335 295	4	51	1500	3000 4500 6000	8000		
Z18D1	Z18-4011XD07-XXXX	11	15	140	191	20.3 21.7 24.5	380 355 315	4	25.8	750	1500 2200 3000	4500	0.1587	187
	Z18-4015XD10-XXXX	15	22	143	210.1	27.3 28.7 32.3	380 360 320	4	34.1	1000	2000 3000 4000	4500		
	Z18-4022XD15-XXXX	22	30	140	191	39.0 40.3 45.8	380 370 325	4	50.8	1500	3000 4500 6000	6000		
Z18D2	Z18-4013XD07-XXXX	13	18.5	166	236	23.9 25.3 27.5	380 360 330	4	25.7	750	1500 2200 3000	4500	0.1882	208
	Z18-4018XD10-XXXX	18.5	26	177	248	33.4 36.3 40.9	380 350 310	4	34.1	1000	2000 3000 4000	4500		
	Z18-4026XD15-XXXX	26	37	166	236	46.1 48.9 53.2	380 360 330	4	50.7	1500	3000 4500 6000	6000		
Z18D3	Z18-4010XD05-XXXX	10	15	191	248	18.9 19.9 22.4	380 360 320	4	17.4	500	1000 1500 2000	2500	0.2046	221
	Z18-4015XD07-XXXX	15	18.5	191	235.6	27.3 28.0 32.6	380 370 320	4	25.8	750	1500 2200 3000	4500		
	Z18-4020XD10-XXXX	20	30	191	286.5	36.0 37.9 42.6	380 360 320	4	34.1	1000	2000 3000 4000	4500		
	Z18-4030XD15-XXXX	30	37	191	235.6	52.7 55.9 65.7	380 360 305	4	50.8	1500	3000 4500 6000	6000		
Z18D4	Z18-4013XD05-XXXX	13	18.5	248	353	24.4 26.9 29.9	380 345 310	4	17.4	500	1000 1500 2000	2500	0.2505	255
	Z18-4018XD07-XXXX	18.5	26	236	331	33.4 34.4 39.9	380 370 320	4	25.8	750	1500 2200 3000	4500		
	Z18-4026XD10-XXXX	26	37	248	353	46.7 50.4 57.9	380 350 305	4	34.1	1000	2000 3000 4000	4500		
	Z18-4037XD15-XXXX	37	55	236	350	65.3 71.9 79.9	380 345 310	4	50.7	1500	3000 4500 6000	6000		
Z18E1	Z18-4015XE07-XXXX	15	18.5	191	235.6	27.4 30.2 35.4	380 345 295	4	25.8	750	1500 2200 3000	4500	0.2372	227
	Z18-4020XE10-XXXX	20	30	191	286.5	35.8 40.4 45.3	380 340 300	4	34.2	1000	2000 3000 4000	4500		
	Z18-4030XE15-XXXX	30	37	191	235.6	52.7 58.4 67.3	380 345 300	4	50.9	1500	3000 4500 6000	6000		
Z18E2	Z18-4013XE05-XXXX	13	18.5	248	353	24.4 27.3 30.4	380 340 305	4	17.5	500	1000 1500 2000	2500	0.2918	260
	Z18-4018XE07-XXXX	18.5	26	236	331	33.8 37.1 42.7	380 345 300	4	25.7	750	1500 2200 3000	4500		

Frame Code	Motor Model	Rated Power kW	Power for Duty S3 kW	Rated Torque N-m	Torque for Duty S3 N-m	Rated Current A	Rated Voltage V	Pole No. P	Rated Frequency Hz	Rated Speed r/min	Max. Speed at Constant Power r/min	Max. Speed r/min	Rotational Inertia kg-m ²	Weight kg
Z18E2	Z18-4026XE10-XXXX	26	37	248	353	46.5 53.3 59.9	380 330 295	4	34.1	1000	2000 3000 4000	4500	0.2918	260
	Z18-4037XE15-XXXX	37	55	236	350	64.6 72.9 81.0	380 340 300	4	50.8	1500	3000 4500 6000	6000		
Z18E3	Z18-4015XE05-XXX	15	22	287	420	27.8 29.4 34.1	380 360 310	4	17.4	500	1000 1500 2000	2500	0.3602	301
	Z18-4022XE07-XXX	22	30	280	382	39.5 43.0 48.5	380 350 310	4	25.8	750	1500 2200 3000	4500		
	Z18-4030XE10-XXX	30	45	287	430	53.2 56.3 66.2	380 360 305	4	34.1	1000	2000 3000 4000	4500		
	Z18-4045XE15-XXX	45	60	287	382	78.8 87.9 98.2	380 340 305	4	50.7	1500	3000 4500 6000	6000		
Z18E4	Z18-4018XE05-XXXX	18.5	26	353	497	34.1 37.1 40.6	380 350 320	4	17.4	500	1000 1500 2000	2500	0.4467	353
	Z18-4030XE07-XXXX	30	45	382	573	54.3 58.6 68.4	380 350 300	4	25.7	750	1500 2200 3000	4500		
	Z18-4037XE10-XXXX	37	55	353	525	65.4 69.7 77.8	380 360 320	4	34	1000	2000 3000 4000	4500		
	Z18-4055XE15-XXXX	55	75	350	478	96.1 109.2 128.1	380 335 285	4	50.7	1500	3000 4500 6000	6000		
Z18F1	Z18-4015XF05-XXXX	15	22	287	420	28 28 31	380 375 340	4	17.3	500	1000 1500 2000	2500	0.4133	355
	Z18-4022XF07-XXXX	22	30	280	382	40 41 45	380 375 335	4	25.6	750	1500 2200 3000	4500		
	Z18-4030XF10-XXXX	30	45	287	430	53 54 60	380 375 335	4	34	1000	2000 3000 4000	4500		
	Z18-4045XF15-XXXX	45	60	287	382	79 80	380 375	4	50.6	1500	3000 4500	4500		
Z18F2	Z18-4018XF05-XXX	18.5	26	353	497	34 35 38	380 375 340	4	17.3	500	1000 1500 2000	2500	0.4996	398
	Z18-4030XF07-XXX	30	45	382	573	54 55 62	380 375 330	4	25.6	750	1500 2200 3000	4500		
	Z18-4037XF10-XXX	37	55	353	525	66 67 74	380 375 335	4	33.9	1000	2000 3000 4000	4500		
	Z18-4055XF15-XXX	55	75	350	478	97 98	380 375	4	50.6	1500	3000 4500	4500		
Z18F3	Z18-4026XF05-XXXX	26	30	497	573	47 48 55	380 375 330	4	17.3	500	1000 1500 2000	2500	0.6565	478
	Z18-4037XF07-XXXX	37	45	471	573	66 66 75	380 375 335	4	25.6	750	1500 2200 3000	4500		
	Z18-4050XF10-XXXX	50	60	478	573	88 89 99	380 375 340	4	33.9	1000	2000 3000 4000	4500		

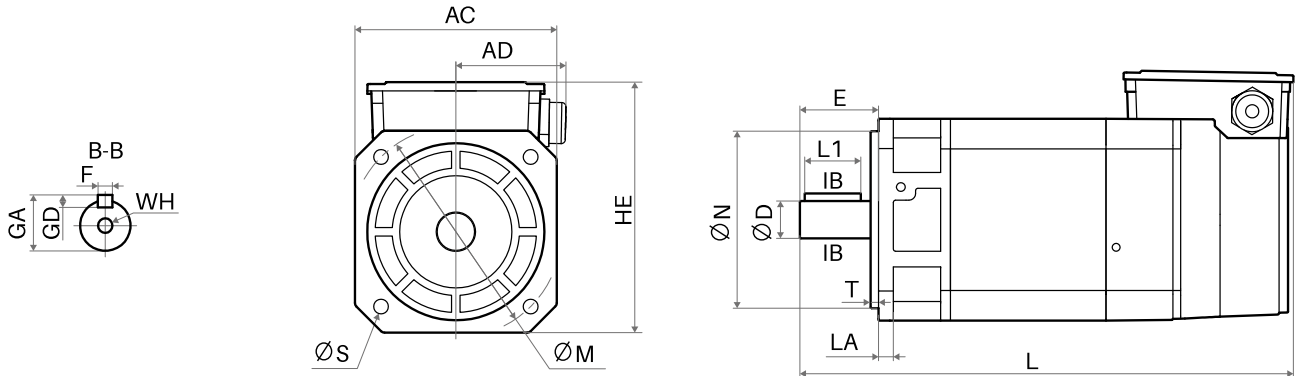
Frame Code	Motor Model	Rated Power kW	Power for Duty S3 kW	Rated Torque N·m	Torque for Duty S3 N·m	Rated Current A	Rated Voltage V	Pole No. P	Rated Frequency Hz	Rated Speed r/min	Max. Speed at Constant Power r/min	Max. Speed r/min	Rotational Inertia kg·m ²	Weight kg
Z18F3	Z18-4075XF15-XXXX	75	90	478	573	131 133	380 375	4	50.6	1500	3000 4500	4500	0.6565	478
Z18F4	Z18-4030XF05-XXXX	30	45	573	860	54 55 61	380 375 340	4	17.2	500	1000 1500 2000	2500	0.782	542
	Z18-4045XF07-XXXX	45	65	573	828	80 80 92	380 375 330	4	25.6	750	1500 2200 3000	4500		
	Z18-4060XF10-XXXX	60	90	573	860	106 107 122	380 375 330	4	33.9	1000	2000 3000 4000	4500		
	Z18-4090XF15-XXXX	90	132	573	840	157 159	380 375	4	50.6	1500	3000 4500	4500		
Z18G1	Z18-4030XG05-XXXX	30	45	573	860	55 56 61	380 375 345	6	25.5	500	1000 1500 2000	2500	1.813	566
	Z18-4045XG07-XXXX	45	65	573	828	81 82 92	380 375 335	6	38	750	1500 2200 3000	4500		
	Z18-4060XG10-XXXX	60	90	573	860	106 107 122	380 375 335	6	50.5	1000	2000 3000 4000	4500		
	Z18-4090XG15-XXXX	90	132	573	840	158 160	380 375	6	75.5	1500	3000 4500	4500		
Z18G2	Z18-4037XG05-XXXX	37	45	707	1051	67 68 73	380 375 350	6	25.5	500	1000 1500 2000	2500	2.063	642
	Z18-4055XG07-XXXX	55	75	700	955	98 99 108	380 375 345	6	38	750	1500 2200 3000	4000		
	Z18-4075XG10-XXXX	75	110	716	1051	132 133 147	380 375 345	6	50.5	1000	2000 3000 4000	4500		
	Z18-4110XG15-XXXX	110	160	700	1019	195 197	380 375	6	75.5	1500	3000 4500	4500		
Z18G3	Z18-4045XG05-XXXX	45	65	860	1242	82 82 88	380 375 350	6	25.5	500	1000 1500 2000	2500	2.555	735
	Z18-4066XG07-XXXX	66	90	840	1146	117 118 130	380 375 345	6	38	750	1500 2200 3000	4500		
	Z18-4090XG10-XXXX	90	132	860	1261	161 162 176	380 375 345	6	50.5	1000	2000 3000 4000	4500		
	Z18-4132XG15-XXXX	132	175	840	1114	232 234	380 375	6	75.5	1500	3000 4500	4500		
Z18G4	Z18-4055XG05-XXXX	55	75	1051	1433	99 100 107	380 375 355	6	25.5	500	1000 1500 2000	2500	3.232	877
	Z18-4090XG07-XXXX	90	132	1146	1681	159 160 184	380 375 330	6	38	750	1500 2200 3000	4500		
	Z18-4110XG10-XXXX	110	160	1051	1528	192 194 205	380 375 360	6	50.5	1000	2000 3000 4000	4500		
	Z18-4160XG15-XXXX	160	210	1019	1337	284 286	380 375	6	75.5	1500	3000 4500	4500		

Frame Code	Motor Model	Rated Power kW	Power for Duty S3 kW	Rated Torque N·m	Torque for Duty S3 N·m	Rated Current A	Rated Voltage V	Pole No. P	Rated Frequency Hz	Rated Speed r/min	Max. Speed at Constant Power r/min	Max. Speed r/min	Rotational Inertia kg·m ²	Weight kg
Z18H1	Z18-4065XH05-XXXX	65	90	1242	1719	124 141 164	380 335 285	8	33.7	500	1000 1500 2000	2500	5.206	942
	Z18-4090XH07-XXXX	90	132	1146	1681	168 191 224	380 340 290	8	50.4	750	1500 2200 3000	3000		
	Z18-4132XH10-XXXX	132	175	1261	1671	245 295	380 320	8	67.1	1000	2000 3000	3000		
	Z18-4200XH15-XXXX	200	250	1273	1592	378	380	8	100.5	1500	3000	3000		
Z18H2	Z18-4090XH05-XXXX	90	132	1719	2521	170 202 223	380 320 290	8	33.7	500	1000 1500 2000	2500	6.804	1119
	Z18-4132XH07-XXXX	132	175	1681	2228	246 295 344	380 320 275	8	50.4	750	1500 2200 3000	3000		
	Z18-4160XH10-XXXX	160	200	1528	1910	298 346	380 335	8	67.1	1000	2000 3000	3000		
	Z18-4250XH15-XXXX	250	315	1592	2006	455	380	8	100.5	1500	3000	3000		
Z18H3	Z18-4110XH05-XXXX	110	160	2101	3056	208 245 277	380 320 285	8	33.7	500	1000 1500 2000	2500	8.402	1300
	Z18-4160XH07-XXXX	160	210	2037	2674	295 336 405	380 340 280	8	50.4	750	1500 2200 3000	3000		
	Z18-4210XH10-XXXX	210	250	2006	2388	397 442	380 340	8	67.1	1000	2000 3000	3000		
	Z18-4315XH15-XXXX	315	375	2006	2388	579	380	8	100.5	1500	3000	3000		
Z18H4	Z18-4132XH05-XXXX	132	175	2521	3343	250 267 312	380 360 305	8	33.7	500	1000 1500 2000	2500	11.278	1622
	Z18-4200XH07-XXXX	200	250	2547	3183	378 421 472	380 340 305	8	50.3	750	1500 2200 3000	3000		
	Z18-4265XH10-XXXX	265	350	2531	3343	485 539	380 350	8	67.1	1000	2000 3000	3000		
	Z18-4400XH15-XXXX	400	500	2547	3183	754	380	8	100.4	1500	3000	3000		

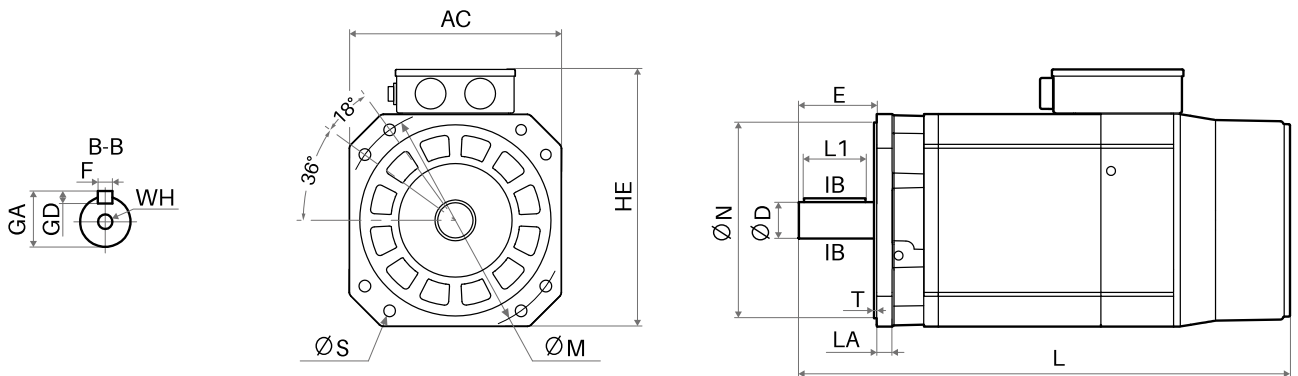
Power Torque Curves



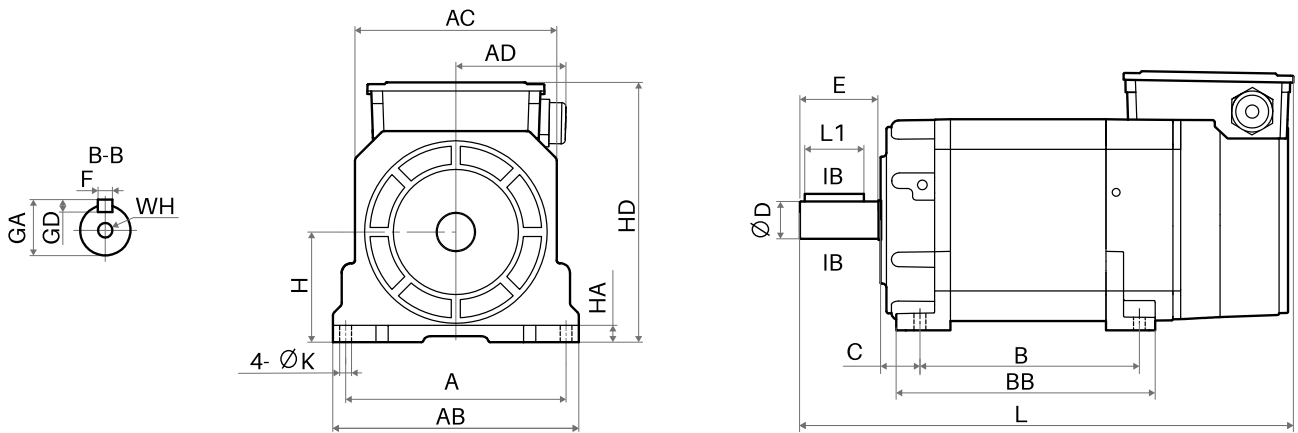
Overall Dimensions



Z18A-Z18E



Z18F-Z18H



Z18A-Z18H

Unit: mm

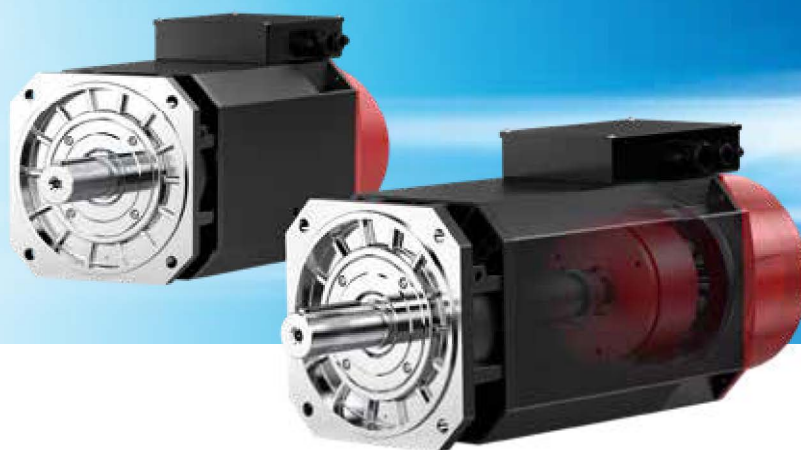
Frame Code	A	AB	S	K	H	HD	HE	HA	AC	AD	D	E	C	T	B	BB	L	M	N	F	GD	GA	WH	LA	L1
Z18A1															98	128	335								
Z18A2	190	210	4-Φ11	11	100	250	230	12	175	132	28	60	38	4	108	138	345	185	150	8	7	31	M10	12	45
Z18A3															133	163	370								
Z18A4															188	218	425								

Unit: mm

Frame Code	A	AB	S	K	H	HD	HE	HA	AC	AD	D	E	C	T	B	BB	L	M	N	F	GD	GA	WH	LA	L1
Z18B1	224	250	4-Φ13	13	112	275	265	14	205	140	38	80	42	4	160	200	440	215	180	10	8	41	M12	14	60
Z18B2															195	235	475								
Z18B3															240	280	520								
Z18B4															295	335	575								
Z18C1	280	315	4-Φ15	15	160	365	340	20	265	155	48	110	38	4	235	272	555	265	230	14	9	51.5	M12	19	90
Z18C2															280	317	600								
Z18C3															320	357	640								
Z18C4															350	387	670								
Z18D1	315	350	4-Φ19	15	180	405	375	21	300	155	55	110	50	5	305	360	690	325	280	16	10	59	M12	20	90
Z18D2															360	415	745								
Z18D3															385	440	770								
Z18D4															455	510	840								
Z18E1	340	380	4-Φ19	17	180	415	395	21	320	155	60	140	55	5	345	410	770	350	300	18	11	64	M16	23	110
Z18E2															405	470	830								
Z18E3															480	545	905								
Z18E4															575	640	1000								
Z18F1	400	440	8-Φ19	19	225	505	470	30	380	155	65	140	45	5	380	475	825	400	350	18	11	69	M20	25	110
Z18F2															435	530	880								
Z18F3															535	614	980								
Z18F4															615	694	1060								
Z18G1	500	550	8-Φ19	23	280	620	580	35	480	170	80	170	45	5	395	468	910	500	450	22	14	85	M20	30	140
Z18G2															455	528	970								
Z18G3															535	608	1050								
Z18G4															645	718	1160								
Z18H1	620	680	8-Φ24	27	315	712	690	45	580	190	105	170	45	5	460	531	995	600	550	28	16	111	M24	38	140
Z18H2															560	631	1095								
Z18H3															660	731	1195								
Z18H4															840	911	1375								

Z18B Servo Motor With Brake

- ◆ Power range: 1.1 ~ 265kW
- ◆ Pole number: 4, 6, 8
- ◆ Max. speed: 3000r/min
- ◆ Encoder: Built-in (options: incremental, absolute)
- ◆ Cooling: Forced air cooling
- ◆ Duty type: Continuous (S1)
- ◆ Installation structure: B3(V5 V6)/B5(V1 V3)/B35(V15 V35)
- ◆ Noise: $\leq 70\text{dB(A)}$
- ◆ IP rating: IP55 (IEC60034-5)
- ◆ Dielectric strength: AC1800V
- ◆ Class of insulation: Class F
- ◆ Class of vibration: A
- ◆ Ambient temperature: -15 to 45°C
- ◆ Ambient humidity: $<95\%\text{RH}$ (non-condensing)



Product Features

- 1、 Built-in brake.
- 2、 Closed rotor slots reduce high harmonics and high-speed noise.
- 3、 Closed rotor slots reduce high harmonics and high-speed noise.
- 4、 Integration of feet with body enhances resistance to vibration.
- 5、 Built-in high precision magnetic encoder facilitates little speed fluctuation.
- 6、 Maintenance-free built-in smart motor data card.

Industry Applications



Model Description (Take 7.5 kW spindle motor for example)

Z18B - 4 7P5 G B 15 - 30 L 5 G - A 4 0 O - F1

1
2
3
4
5
6
7
8
9
10
11
12
13
14
15

Code	Description	Instructions	Example Model
1	Product series	Z18: Code of the motor series	Z18 series spindle motor
2	Voltage rating	2: 200V 4: 400V	400V
3	Power	See 'Standard Specifications'.	7.5kW
4	Encoder	Code Type of Encoder B None G Incremental encoder : 1024p 2500p 8192P A Absolute encoder: 23bit	Incremental encoder
5	Frame code	Frame Code Flange Size (L×W) mm Frame Code Flange Size (L×W) mm A 175×175 E 320×320 B 205×205 F 380×380 C 265×265 G 480×480 D 300×300 H 580×580	Frame B
6	Basic speed	Code Speed (rpm) Code Speed (rpm) 05 500 20 2000 07 750 30 3000	Basic speed: 1500r/min
7	Speed at constant power	10 1000 40 4000 15 1500 45 4500	Speed at constant power: 3000 r/min
8	Max. speed	Code Max.Speed (rpm) LL 2500 L 3000	Max. speed: 3000r/min
9	Mode of installation	3: Horizontal 5: Flange mounted 35: Horizontal + flange mounted	Flange mounted
10	Shaft extension	G: Bare shaft J: Splined shaft	Bare shaft
11	Smart card	A: with N: without	With smart card
12	Line incoming direction of junction box	4: Right incoming line of junction box 5: Front line of junction box	Right incoming line of junction box
13	Incoming line of junction box	0: Standard junction box + black encoder plug 1: Standard junction box + aerospace encoder plug	Standard junction box + black encoder plug
14	Export marking	O: Export motor (not for motors sold nationwide)	Export product
15	Code of nonstandard motor part	F1: Shaft extension F4: Stator F7: Encoder F2: Flange F5: Fan F3: Feet F6: Junction box	Nonstandard shaft extension

Electrical Specifications

Frame Code	Motor Model	Rated Power	Power for Duty S3	Rated Torque	Torque for Duty S3	Rated Current	Rated Voltage	Pole No.	Rated Frequency	Rated Speed	Max. Speed at Constant Power	Max. Speed	Rotational Inertia	Weight
		kW	kW	N·m	N·m	A	V	P	Hz	r/min	r/min	r/min	kg·m ²	kg
Z18BA1	Z18B-41P1XA15-XXXX	1.1	1.5	7	9.6	2.5	380	4	53.1	1500	3000	3000	0.0038	26
Z18BA2	Z18B-41P5XA15-XXXX	1.5	2.2	9.6	14	3.3	380	4	53.3	1500	3000	3000	0.0043	28
Z18BA3	Z18B-42P2XA15-XXXX	2.2	3	14	19.1	4.7	380	4	53	1500	3000	3000	0.0058	32
Z18BA4	Z18B-43P7XA15-XXXX	3.7	5.5	23.6	35	7.7	380	4	52.6	1500	3000	3000	0.009	41
Z18BB1	Z18B-42P2XB10-XXXX	2.2	3.7	21	35.3	4.6 4.8	380 360	4	34.9	1000	2000 3000	3000	0.0169	58
	Z18B-43P7XB15-XXXX	3.7	5.5	23.6	35	7.4	380	4	51.8	1500	3000	3000		
Z18BB2	Z18B-43P7XB10-XXXX	3.7	5.5	35.3	52.5	7.5 8.4	380 335	4	35.1	1000	2000 3000	3000	0.0214	66
	Z18B-45P5XB15-XXXX	5.5	7.5	35	47.8	10.7	380	4	51.8	1500	3000	3000		
Z18BB3	Z18B-45P5XB10-XXXX	5.5	7.5	52.5	71.6	10.9 12.8	380 325	4	35.2	1000	2000 3000	3000	0.0271	77
	Z18B-47P5XB15-XXXX	7.5	11	47.8	70	14.4	380	4	51.8	1500	3000	3000		
Z18BB4	Z18B-46P5XB10-XXXX	6.5	10	62.1	95.5	12.8 14.1	380 345	4	35	1000	2000 3000	3000	0.034	91
	Z18B-49P5XB15-XXXX	9.5	13	60.5	82.8	17.9	380	4	51.8	1500	3000	3000		
Z18BC1	Z18B-45P5XC07-XXXX	5.5	7.5	70	95.5	10.7 12.1 13.7	380 340 300	4	26.1	750	1500 2200 3000	3000	0.0738	118
	Z18B-47P5XC10-XXXX	7.5	11	71.6	105	14.4 16.0	380 340	4	34.4	1000	2000 3000	3000		
	Z18-4011XC15-XXXX	11	15	70	95.5	20.6	380	4	51.1	1500	3000	3000		
Z18BC2	Z18B-47P5XC07-XXXX	7.5	11	95.5	140	14.4 16.4 19.0	380 335 290	4	26.1	750	1500 2200 3000	3000	0.0911	136
	Z18B-4010XC10-XXXX	10	15	95.5	143	18.7 21.4	380 335	4	34.5	1000	2000 3000	3000		
	Z18B-4015XC15-XXXX	15	22	95.5	140	27.4	380	4	51.2	1500	3000	3000		
Z18BC3	Z18B-4010XC07-XXXX	10	15	127.3	191	19.1 21.8 25.1	380 335 290	4	26.1	750	1500 2200 3000	3000	0.1078	151
	Z18B-4013XC10-XXXX	13	18.5	124.2	176.7	24.4 28.1	380 330	4	34.4	1000	2000 3000	3000		
	Z18B-4018XC15-XXXX	18.5	26	117.8	166	34.5	380	4	51.1	1500	3000	3000		

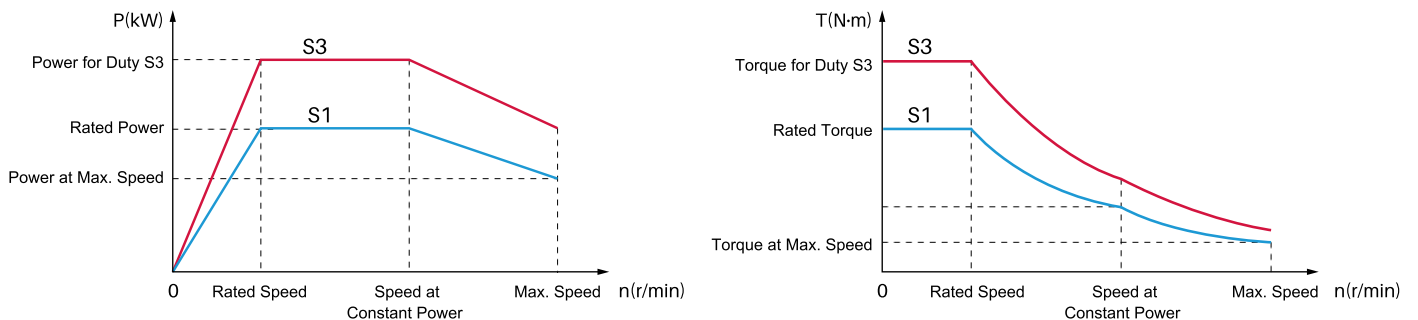
Frame Code	Motor Model	Rated Power	Power for Duty S3	Rated Torque	Torque for Duty S3	Rated Current	Rated Voltage	Pole No.	Rated Frequency	Rated Speed	Max. Speed at Constant Power	Max. Speed	Rotational Inertia	Weight
		kW	kW	N·m	N·m	A	V	P	Hz	r/min	r/min	r/min	kg·m ²	kg
Z18BC4	Z18B-4011XC07-XXXX	11	15	140.1	191	20.8 24.2 28.3	380 330 280	4	26.1	750	1500 2200 3000	3000	0.1207	163
	Z18B-4015XC10-XXXX	15	22	143.3	210.1	28.3 33.3	380 315	4	34.4	1000	2000 3000	3000		
	Z18B-4022XC15-XXXX	22	30	140.1	191	40.5	380	4	51	1500	3000	3000		
Z18BD1	Z18B-47P5XD05-XXXX	7.5	11	143	210	14.3 15.6 17.6	380 350 310	4	17.5	500	1000 1500 2000	2000	0.1618	217
	Z18B-4011XD07-XXXX	11	15	140	191	20.3 21.7 24.5	380 355 315	4	25.8	750	1500 2200 3000	3000		
	Z18B-4015XD10-XXXX	15	22	143	210	27.3 28.7	380 360	4	34.1	1000	2000 3000	3000		
	Z18B-4022XD15-XXXX	22	30	140	191	39	380	4	50.8	1500	3000	3000		
Z18BD2	Z18B-49P5XD05-XXXX	9.5	13	181	248	18.1 19.6 22.1	380 350 310	4	17.4	500	1000 1500 2000	2000	0.1913	238
	Z18B-4013XD07-XXXX	13	18.5	166	236	23.9 25.3 27.5	380 360 330	4	25.7	750	1500 2200 3000	3000		
	Z18B-4018XD10-XXXX	18.5	26	177	248	33.4 36.3	380 350	4	34.1	1000	2000 3000	3000		
	Z18B-4026XD15-XXXX	26	37	166	236	46.1	380	4	50.7	1500	3000	3000		
Z18BD3	Z18B-4010XD05-XXXX	10	15	191	248	18.9 19.9 22.4	380 360 320	4	17.4	500	1000 1500 2000	2000	0.2077	241
	Z18B-4015XD07-XXXX	15	18.5	191	235.6	27.3 28.0 32.6	380 370 320	4	25.8	750	1500 2200 3000	3000		
	Z18B-4020XD10-XXXX	20	30	191	248	36.0 37.9	380 360	4	34.1	1000	2000 3000	3000		
	Z18B-4030XD15-XXXX	30	37	191	235.6	52.7	380	4	50.8	1500	3000	3000		
Z18BD4	Z18B-4013XD05-XXXX	13	18.5	248	353	24.4 26.9 29.9	380 345 310	4	17.4	500	1000 1500 2000	2000	0.2536	285
	Z18B-4018XD07-XXXX	18.5	26	236	331	33.4 34.4 39.9	380 370 320	4	25.8	750	1500 2200 3000	3000		
	Z18B-4026XD10-XXXX	26	37	248	353	46.7 50.4	380 350	4	34.1	1000	2000 3000	3000		
	Z18B-4037XD15-XXXX	37	55	236	350	65.3	380	4	50.7	1500	3000	3000		
Z18BE1	Z18B-4015XE07-XXXX	15	18.5	191	235.6	27.4 30.2 35.4	380 345 295	4	25.8	750	1500 2200 3000	3000	0.2413	267
	Z18B-4020XE10-XXXX	20	30	191	248	35.8 40.4	380 340	4	34.2	1000	2000 3000	3000		
	Z18B-4030XE15-XXXX	30	37	191	235.6	52.7	380	4	50.9	1500	3000	3000		

Frame Code	Motor Model	Rated Power	Power for Duty S3	Rated Torque	Torque for Duty S3	Rated Current	Rated Voltage	Pole No.	Rated Frequency	Rated Speed	Max. Speed at Constant Power	Max. Speed	Rotational Inertia	Weight
		kW	kW	N·m	N·m	A	V	P	Hz	r/min	r/min	r/min	kg·m ²	kg
Z18BE2	Z18B-4013XE05-XXXX	13	18.5	248	353	24.4 27.3 30.4	380 340 305	4	17.5	500	1000 1500 2000	2500	0.2959	300
	Z18B-4018XE07-XXXX	18.5	26	236	331	33.8 37.1 42.7	380 345 300	4	25.7	750	1500 2200 3000	3000		
	Z18B-4026XE10-XXXX	26	37	248	353	46.5 53.3	380 330	4	34.1	1000	2000 3000	3000		
	Z18B-4037XE15-XXXX	37	55	236	350	64.6	380	4	50.8	1500	3000	3000		
Z18BE3	Z18B-4015XE05-XXX	15	22	287	420	27.8 29.4 34.1	380 360 310	4	17.4	500	1000 1500 2000	2500	0.3643	341
	Z18B-4022XE07-XXX	22	30	280	382	39.5 43.0 48.5	380 350 310	4	25.8	750	1500 2200 3000	3000		
	Z18B-4030XE10-XXX	30	45	287	430	53.2 56.3	380 360	4	34.1	1000	2000 3000	3000		
	Z18B-4045XE15-XXX	45	60	287	382	78.8	380	4	50.7	1500	3000	3000		
Z18BE4	Z18B-4018XE05-XXXX	18.5	26	353	497	34.1 37.1 40.6	380 350 320	4	17.4	500	1000 1500 2000	2500	0.4508	393
	Z18B-4030XE07-XXXX	30	45	382	573	54.3 58.6 68.4	380 350 300	4	25.7	750	1500 2200 3000	3000		
	Z18B-4037XE10-XXXX	37	55	353	525	65.4 69.7	380 360	4	34	1000	2000 3000	3000		
	Z18B-4055XE15-XXXX	55	75	350	478	96.1	380	4	50.7	1500	3000	3000		
Z18BF1	Z18B-4015XF05-XXXX	15	22	287	420	28 28 31	380 375 340	4	17.3	500	1000 1500 2000	2500	0.4313	425
	Z18B-4022XF07-XXXX	22	30	280	382	40 41 45	380 375 335	4	25.6	750	1500 2200 3000	3000		
	Z18B-4030XF10-XXXX	30	45	287	430	53 54	380 375	4	34	1000	2000 3000	3000		
	Z18B-4045XF15-XXXX	45	60	287	382	79	380	4	50.6	1500	3000	3000		
Z18BF2	Z18B-4018XF05-XXX	18.5	26	353	497	34 35 38	380 375 340	4	17.3	500	1000 1500 2000	2500	0.5176	468
	Z18B-4030XF07-XXX	30	45	382	573	54 55 62	380 375 330	4	25.6	750	1500 2200 3000	3000		
	Z18B-4037XF10-XXX	37	55	353	525	66 67	380 375	4	33.9	1000	2000 3000	3000		
	Z18B-4055XF15-XXX	55	75	350	478	97	380	4	50.6	1500	3000	3000		
Z18BF3	Z18B-4026XF05-XXXX	26	30	497	573	47 48 55	380 375 330	4	17.3	500	1000 1500 2000	2500	0.6745	548

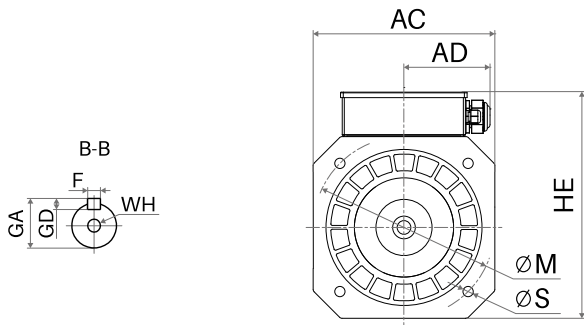
Frame Code	Motor Model	Rated Power	Power for Duty S3	Rated Torque	Torque for Duty S3	Rated Current	Rated Voltage	Pole No.	Rated Frequency	Rated Speed	Max. Speed at Constant Power	Max. Speed	Rotational Inertia	Weight
		kW	kW	N·m	N·m	A	V	P	Hz	r/min	r/min	r/min	kg·m ²	kg
Z18BF3	Z18B-4037XF07-XXXX	37	45	471	573	66 66 75	380 375 335	4	25.6	750	1500 2200 3000	3000	0.6745	548
	Z18B-4050XF10-XXXX	50	60	478	573	88 89	380 375	4	33.9	1000	2000 3000	3000		
	Z18B-4075XF15-XXXX	75	90	478	573	131	380	4	50.6	1500	3000	3000		
Z18BF4	Z18B-4030XF05-XXXX	30	45	573	860	54 55 61	380 375 340	4	17.2	500	1000 1500 2000	2500	0.8	612
	Z18B-4045XF07-XXXX	45	65	573	828	80 80 92	380 375 330	4	25.6	750	1500 2200 3000	3000		
	Z18B-4060XF10-XXXX	60	90	573	860	106 107	380 375	4	33.9	1000	2000 3000	3000		
	Z18B-4090XF15-XXXX	90	132	573	840	157	380	4	50.6	1500	3000	3000		
Z18BG1	Z18B-4030XG05-XXXX	30	45	573	860	55 56 61	380 375 345	6	25.5	500	1000 1500 2000	2500	1.882	666
	Z18B-4045XG07-XXXX	45	65	573	828	81 82 92	380 375 335	6	38	750	1500 2200 3000	3000		
	Z18B-4060XG10-XXXX	60	90	573	860	106 107	380 375	6	50.5	1000	2000 3000	3000		
	Z18B-4090XG15-XXXX	90	132	573	840	158	380	6	75.5	1500	3000	3000		
Z18BG2	Z18B-4037XG05-XXXX	37	45	707	860	67 68 73	380 375 350	6	25.5	500	1000 1500 2000	2500	2.132	742
	Z18B-4055XG07-XXXX	55	75	700	955	98 99 108	380 375 345	6	38	750	1500 2200 3000	3000		
	Z18B-4075XG10-XXXX	75	110	716	1051	132 133	380 375	6	50.5	1000	2000 3000	3000		
	Z18B-4110XG15-XXXX	110	160	700	1019	195	380	6	75.5	1500	3000	3000		
Z18BG3	Z18B-4045XG05-XXXX	45	65	860	1242	82 82 88	380 375 350	6	25.5	500	1000 1500 2000	2500	2.624	835
	Z18B-4066XG07-XXXX	66	90	840	1146	117 118 130	380 375 345	6	38	750	1500 2200 3000	3000		
	Z18B-4090XG10-XXXX	90	132	860	1261	161 162	380 375	6	50.5	1000	2000 3000	3000		
	Z18B-4132XG15-XXXX	132	175	840	1114	232	380	6	75.5	1500	3000	3000		
Z18BG4	Z18B-4055XG05-XXXX	55	75	1051	1433	99 100 107	380 375 355	6	25.5	500	1000 1500 2000	2500	3.301	977
	Z18B-4090XG07-XXXX	90	132	1146	1681	159 160 184	380 375 330	6	38	750	1500 2200 3000	3000		
	Z18B-4110XG10-XXXX	110	160	1051	1528	192 194	380 375	6	50.5	1000	2000 3000	3000		

Frame Code	Motor Model	Rated Power	Power for Duty S3	Rated Torque	Torque for Duty S3	Rated Current	Rated Voltage	Pole No.	Rated Frequency	Rated Speed	Max. Speed at Constant Power	Max. Speed	Rotational Inertia	Weight
		kW	kW	N·m	N·m	A	V	P	Hz	r/min	r/min	r/min	kg·m ²	kg
Z18BG4	Z18B-4160XG15-XXXX	160	210	1019	1337	284	380	6	75.5	1500	3000	3000	3.301	977
Z18BH1	Z18B-4065XH05-XXXX	65	90	1242	1719	124 141 164	380 335 285	8	33.7	500	1000 1500 2000	2500	5.353	1132
	Z18B-4090XH07-XXXX	90	132	1146	1681	168 191	380 340	8	50.4	750	1500 2200	2500		
	Z18B-4132XH10-XXXX	132	175	1261	1671	245	380	8	67.1	1000	2000	2500		
Z18BH2	Z18B-4090XH05-XXXX	90	132	1719	2521	170 202 223	380 320 290	8	33.7	500	1000 1500 2000	2500	6.951	1309
	Z18B-4132XH07-XXXX	132	175	1681	2228	246 295	380 320	8	50.4	750	1500 2200	2500		
	Z18B-4160XH10-XXXX	160	200	1528	1910	298	380	8	67.1	1000	2000	2500		
Z18BH3	Z18B-4110XH05-XXXX	110	160	2101	3056	208 245 277	380 320 285	8	33.7	500	1000 1500 2000	2500	8.549	1490
	Z18B-4160XH07-XXXX	160	210	2037	2674	295 336	380 340	8	50.4	750	1500 2200	2500		
	Z18B-4210XH10-XXXX	210	250	2006	2388	397	380	8	67.1	1000	2000	2500		
Z18BH4	Z18B-4132XH05-XXXX	132	175	2521	3343	250 267 312	380 360 305	8	33.7	500	1000 1500 2000	2500	11.425	1812
	Z18B-4200XH07-XXXX	200	250	2547	3183	378 421	380 340	8	50.3	750	1500 2200	2500		
	Z18B-4265XH10-XXXX	265	350	2531	3343	485	380	8	67.1	1000	2000	2500		

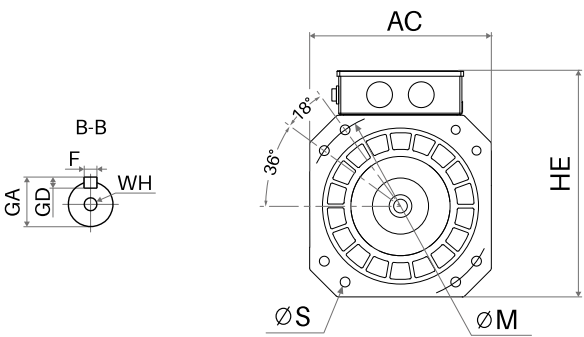
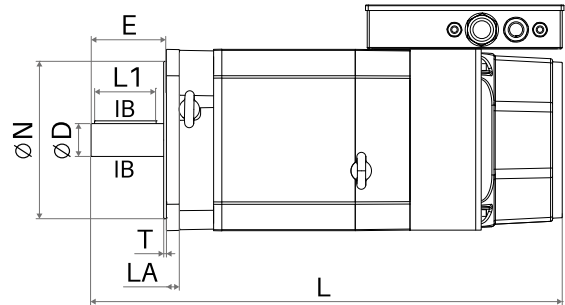
Power Torque Curves



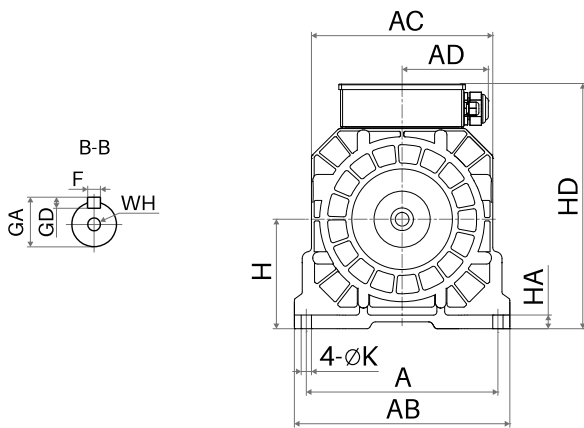
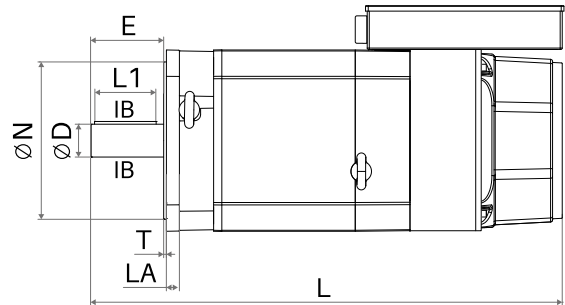
Overall Dimensions



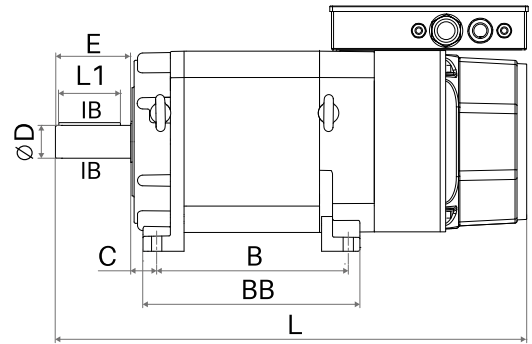
Z18BA-Z18BE



Z18BF-Z18BH



Z18BA-Z18BH



Unit: mm

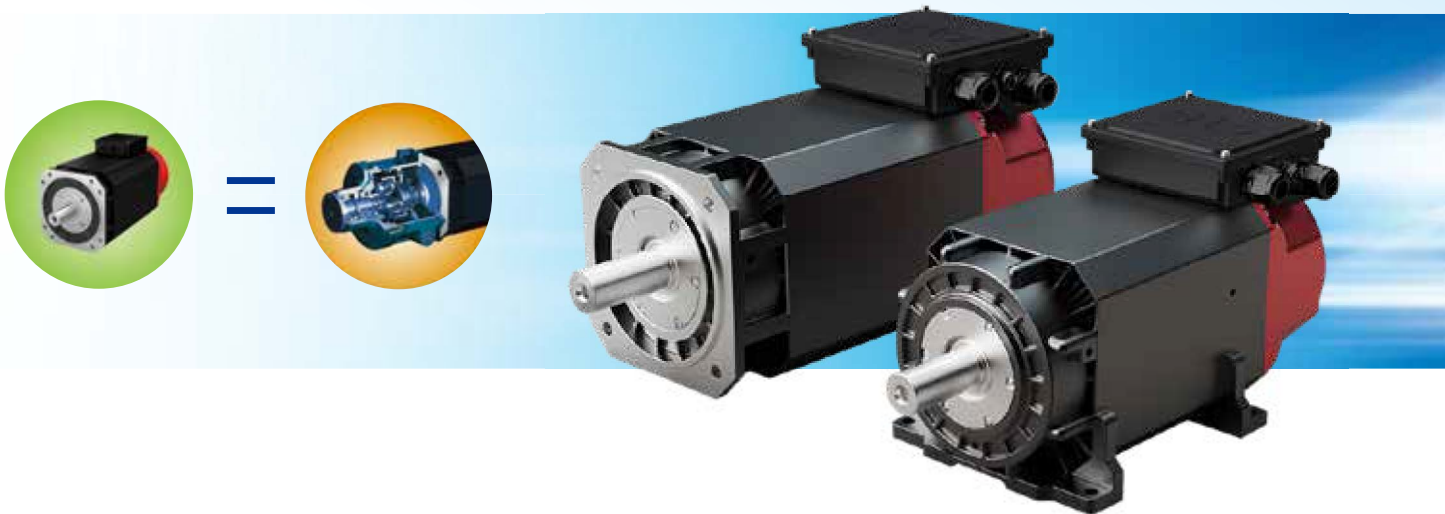
Frame Code	A	AB	S	K	H	HD	HE	HA	AC	AD	D	E	C	T	B	BB	L	M	N	F	GD	GA	WH	LA	L1
Z18BA1															98	128	395								
Z18BA2															108	138	405								
Z18BA3	190	210	4-Φ11	11	100	250	230	12	175	132	28	60	38	4	133	163	430	185	150	8	7	31	M10	12	45
Z18BA4															188	218	485								

Unit: mm

Frame Code	A	AB	S	K	H	HD	HE	HA	AC	AD	D	E	C	T	B	BB	L	M	N	F	GD	GA	WH	LA	L1
Z18BB1	224	250	4-Φ13	13	112	280	270	14	205	140	38	80	42	4	160	200	525	215	180	10	8	41	M12	14	60
Z18BB2															195	235	560								
Z18BB3															240	280	605								
Z18BB4															295	335	660								
Z18BC1	280	315	4-Φ15	15	160	370	350	20	265	155	48	110	38	4	235	272	650	265	230	14	9	51.5	M12	19	90
Z18BC2															280	317	695								
Z18BC3															320	357	735								
Z18BC4															350	387	765								
Z18BD1	315	350	4-Φ19	15	180	405	375	21	300	155	55	110	50	5	305	360	810	325	280	16	10	59	M12	20	90
Z18BD2															360	415	865								
Z18BD3															385	440	890								
Z18BD4															455	510	960								
Z18BE1	340	380	4-Φ19	17	180	410	390	21	320	155	60	140	55	5	345	410	900	350	300	18	11	64	M16	23	110
Z18BE2															405	470	960								
Z18BE3															480	545	1035								
Z18BE4															575	640	1130								
Z18BF1	400	440	8-Φ19	19	225	505	470	30	380	155	65	140	45	5	380	459	1020	400	350	18	11	69	M20	25	110
Z18BF2															435	514	1075								
Z18BF3															535	614	1175								
Z18BF4															615	694	1255								
Z18BG1	500	550	8-Φ19	23	280	620	580	35	480	170	80	170	45	5	395	468	1070	500	450	22	14	85	M20	30	140
Z18BG2															455	528	1130								
Z18BG3															535	608	1210								
Z18BG4															645	718	1320								
Z18BH1	620	680	8-Φ24	27	315	712	690	45	580	190	105	170	45	5	460	531	1195	600	550	28	16	111	M24	38	140
Z18BH2															560	631	1295								
Z18BH3															660	731	1395								
Z18BH4															840	911	1575								

Z18P Two Speed Servo Spindle Motor

- ◆ Power range: 3.7 ~ 90kW
- ◆ Pole number: 4, 6, 8
- ◆ Max. speed: 12000r/min
- ◆ Encoder: Built-in (options: magnetic, incremental, rotary, SinCos, absolute)
- ◆ Cooling: Forced air cooling
- ◆ Class of vibration: A
- ◆ Duty type: continuous (S1)
- ◆ Installation structure: B3(V5 V6)/B5(V1 V3)/B35(V15 V35)
- ◆ Ambient temperature: -15 to 45°C
- ◆ Ambient humidity: <95%RH (non-condensing)



Product Features

- 1、Laminated yoke, small size, and high output torque;
- 2、Dual-winding electromagnetic design, high torque at low speeds, and rapid response at high speeds;
- 3、Wide speed range, high overload capacity, and high stability;
- 4、Substitute drive for two-stage gear reducers, little noise, and easy maintenance.

Industry Applications



Model Description

Z18P - **4** **3P7 / 5P5** - **05 / 07** **A B H 5 J** - **A 2 0 O** - **F1**

1
2
3
4
5
6
7
8
9
10
11
12
13
14
15

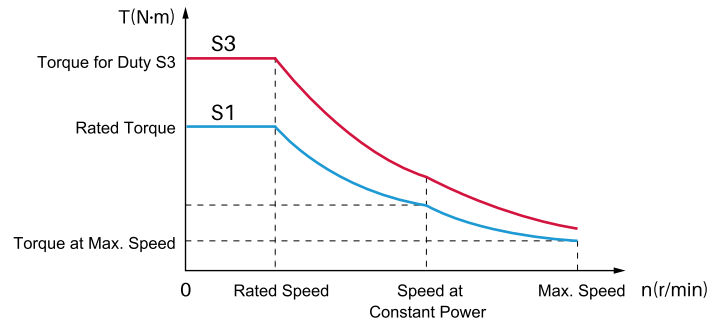
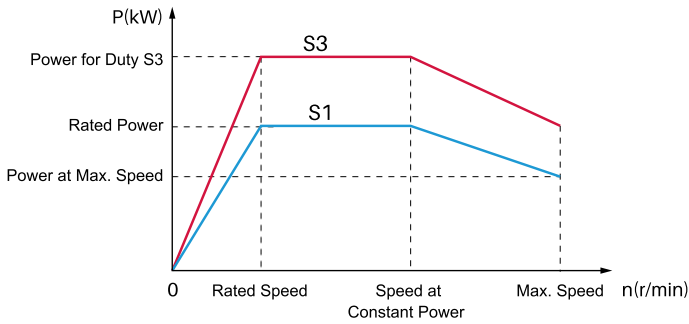
Code	Description	Instructions				Example Model	
1	Product series	Z18P: code of the motor series				Z18P series two speed motor	
2	Voltage rating	2: 200V 4: 400V				400V	
3	Power	Rated power at low/high speed; see 'Standard Specifications'.				3.7kW / 5.5kW	
4	Rating at low speed	Code	Speed(rpm)	Code	Speed(rpm)	Low speed winding: 500r/min	
5	Rating at high speed	Code	Speed(rpm)	Code	Speed(rpm)		
		02	250	10	1000	45	4500
		03	375	12	1200	60	6000
		04	400	15	1500	80	8000
		05	500	20	2000	90	9000
		06	575	25	2500	A0	10000
		07	750	30	3000	A2	12000
		08	800	40	4000		
6	Encoder	Code	Type of Encoder			Absolute encoder	
		B	None				
		G	Incremental encoder	1024P, 2500P, 8192P			
		R	Rotary transformer	1024P			
		S	SinCos encoder	2048P			
		A	Absolute encoder	23 bit			
7	Frame code	Frame Code	Flange Size (L×W) mm		Frame Code	Flange Size (L×W) mm	
		B	205×205		F	380×380	
		C	265×265		G	480×480	
		E	320×320		H	580×580	
8	Max. speed	Code	Max. Speed (rpm)		Code	Max. Speed (rpm)	
		LL	2500		H	8000	
		L	3000		HF	10000	
		LM	4500		F	12000	
		M	6000				
9	Mode of installation	3: Horizontal	5: Flange mounted	35: Horizontal + flange mounted			Flange mounted
10	Shaft extension	G: Bare shaft J: Splined shaft				Bare shaft	
11	Smart card	A: with N: without				With smart card	
12	Line incoming direction of junction box	2: Right incoming line of junction box 3: Left incoming line of junction box 5: Front line of junction box				Right incoming line of junction box	
13	Incoming line of junction box	0: Standard junction box + black encoder plug 1: Standard junction box + aerospace encoder plug 2: Waterproof junction box + black encoder plug 3: Waterproof junction box + aerospace encoder plug				Standard junction box + black encoder plug	
14	Export marking	O: Export motor (not for motors sold nationwide)				Export product	
15	Code of nonstandard motor part	F1: Shaft extension	F4: Stator	F7: Encoder		Nonstandard shaft extension	
		F2: Flange	F5: Fan				
		F3: Feet	F6: Junction box				

Electrical Specifications

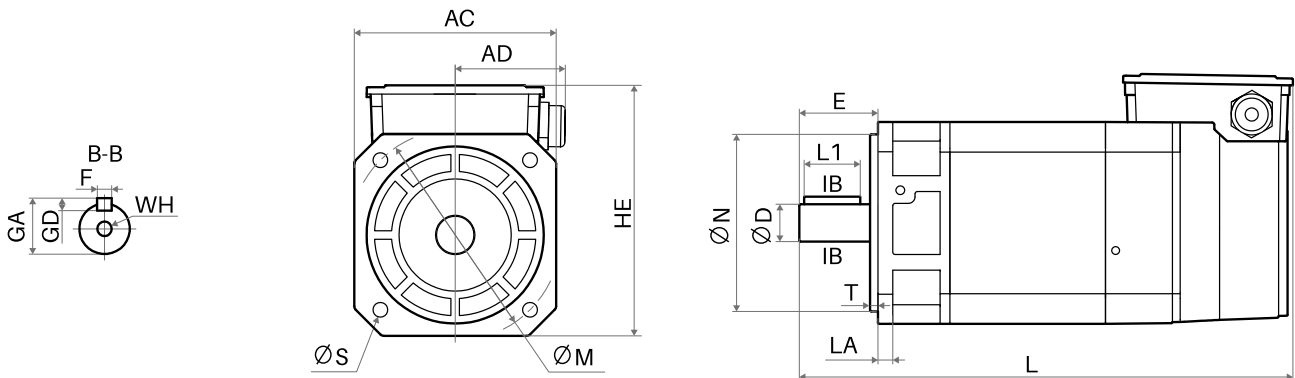
Frame Code	Motor Model	Type of Winding	Rated Power kW	Power for Duty S3 kW	Rated Torque N·m	Torque for Duty S3 N·m	Rated Current A	Rated Voltage V	Rated Frequency Hz	Rated Speed r/min	Max. Speed at Constant Power r/min	Max. Speed r/min	Rotational Inertia kg·m ²	Weight kg
Z18B4	Z18P-43P7/5P5-05/10XBXXX	Low speed	3.7	5.5	71	105	11.5	265	18.5	500	2500	2500	0.0325	71
		High speed	5.5	7.5	52.5	71	15.5	265	34.8	1000	6000	8000		
	Z18P-4011/11-15/40XBXXX	Low speed	11	15	70	95.5	28.1	290	51.7	1500	6000	8000		
		High speed	11	15	26.3	35.8	26.5	290	134.7	4000	12000	12000		
Z18C1	Z18P-43P7/5P5-05/07XCXXX	Low speed	3.7	5.5	71	105	11	260	17.7	500	2800	2800	0.0717	93
		High speed	5.5	7.5	70	95.5	18.7	220	26	750	6000	8000		
	Z18P-4011/11-15/40XCXXX	Low speed	11	15	70	95.5	27.1	290	51	1500	6000	8000		
		High speed	11	15	26.3	35.8	26.3	290	134.2	4000	12000	12000		
Z18C2	Z18P-45P5/7P5-05/07XCXXX	Low speed	5.5	7.5	105	143	14.2	295	17.8	500	2000	2000	0.089	111
		High speed	7.5	11	95.5	140	22.6	245	26	750	4500	6000		
Z18C4	Z18P-47P5/11-05/07XCXXX	Low speed	7.5	11	143	210	19.5	290	17.7	500	2000	2000	0.1186	138
		High speed	11	15	140	191	33.2	240	26.1	750	4500	6000		
Z18E1	Z18P-4011/15-05/10EXXXX	Low speed	11	15	210	287	24.5	325	17.5	500	1500	1500	0.2372	227
		High speed	15	18.5	143	177	31.2	325	34	1000	4000	4500		
Z18E3	Z18P-4013/18-04/08EXXXX	Low speed	13	18.5	310	442	28.1	335	14.1	400	1200	1500	0.3602	301
		High speed	18.5	22	221	263	35.8	355	27.2	800	3000	4000		
Z18E4	Z18P-4015/15-03/10EXXXX	Low speed	15	18.5	382	471	31.9	340	13.2	375	1200	1500	0.4467	353
		High speed	15	18.5	143	177	26.4	380	33.8	1000	4000	4500		
	Z18P-4022/22-06/12EXXXX	Low speed	22	30	365	498	40	380	19.9	575	1200	1500		
		High speed	22	30	175	239	39	380	40.4	1200	4800	6000		
Z18F3	Z18P-4018/18-03/10FXXXX	Low speed	18.5	22	471	560	34.5	380	13.1	375	1200	1500	0.6565	478
		High speed	18.5	22	177	210	32.5	380	33.8	1000	3000	4500		
Z18F4	Z18P-4022/22-03/10FXXXX	Low speed	22	30	560	764	47	330	13.1	375	1500	1500	0.782	542
		High speed	22	30	210	287	44.1	330	33.8	1000	4500	4500		
Z18G2	Z18P-4018/22-02/07GXXXX	Low speed	18.5	22	707	840	41.9	320	13	250	1000	1500	2.063	642
		High speed	22	30	280	382	39.6	380	37.8	750	3000	4500		
	Z18P-4030/37-03/10GXXXX	Low speed	30	37	764	942	63.9	330	19.3	375	1500	1500		
		High speed	37	45	353	430	65.7	380	50.4	1000	4000	4500		
Z18G3	Z18P-4037/37-03/10GXXXX	Low speed	37	45	942	1146	70.5	365	19.3	375	1200	1500	2.555	735
		High speed	37	45	353	430	67.4	365	50.4	1000	4000	4500		
Z18G4	Z18P-4045/45-03/07GXXXX	Low speed	45	55	1146	1400	84.5	370	19.2	375	1200	1500	3.232	877
		High speed	45	55	573	700	85.5	370	37.8	750	4000	4500		

Frame Code	Motor Model	Type of Winding	Rated Power kW	Power for Duty S3 kW	Rated Torque N-m	Torque for Duty S3 N-m	Rated Current A	Rated Voltage V	Rated Frequency Hz	Rated Speed r/min	Max. Speed at Constant Power r/min	Max. Speed r/min	Rotational Inertia kg-m ²	Weight kg
Z18H1	Z18P-4030/30-02/07XHXXX	Low speed	30	37	1146	1413	75.6	300	17	250	1000	1000	5.206	942
		High speed	30	37	382	471	71.1	300	50.3	750	3000	3000		
Z18H2	Z18P-4037/37-02/07XHXXX	Low speed	37	45	1413	1719	79.4	350	17	250	750	1000	6.804	1119
		High speed	37	45	471	573	70.5	380	50.2	750	2500	3000		
	Z18P-4055/55-03/07XHXXX	Low speed	55	75	1401	1910	113.7	360	25.3	375	1000	1000		
		High speed	55	75	700	955	119.5	360	50.2	750	3000	3000		
Z18H3	Z18P-4075/75-03/07XHXXX	Low speed	75	90	1910	2292	147.5	370	25.3	375	1000	1000	8.402	1300
		High speed	75	90	955	1146	152.3	370	50.2	750	3000	3000		
Z18H4	Z18P-4090/90-03/07XHXXX	Low speed	90	110	2292	2801	199.4	340	25.3	375	1200	1500	11.278	1622
		High speed	90	110	1146	1401	209.1	340	50.2	750	3000	4000		

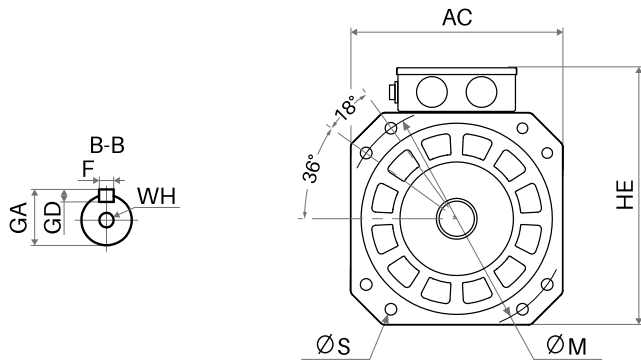
Power Torque Curves



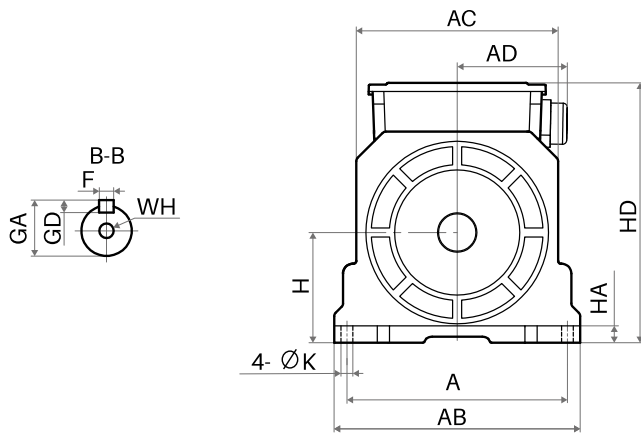
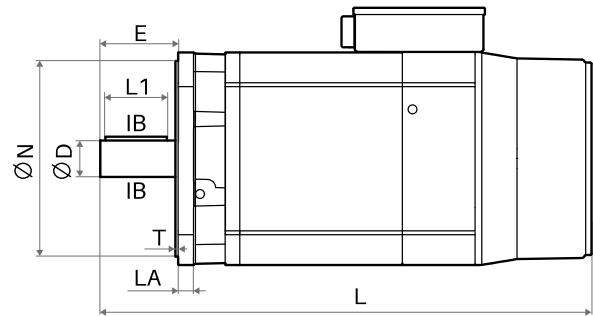
Overall Dimensions



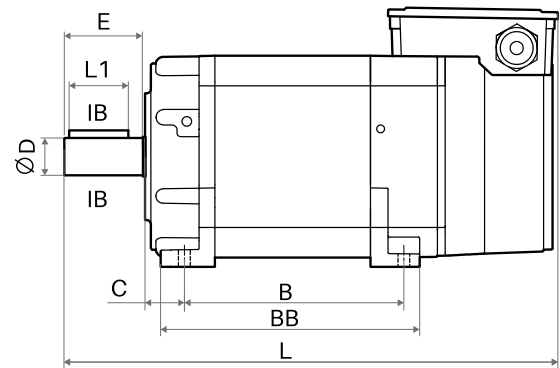
Z18PB、Z18PC、Z18P



Z18PF-Z18PH



Z18PB Z18PC Z18PE-Z18PH

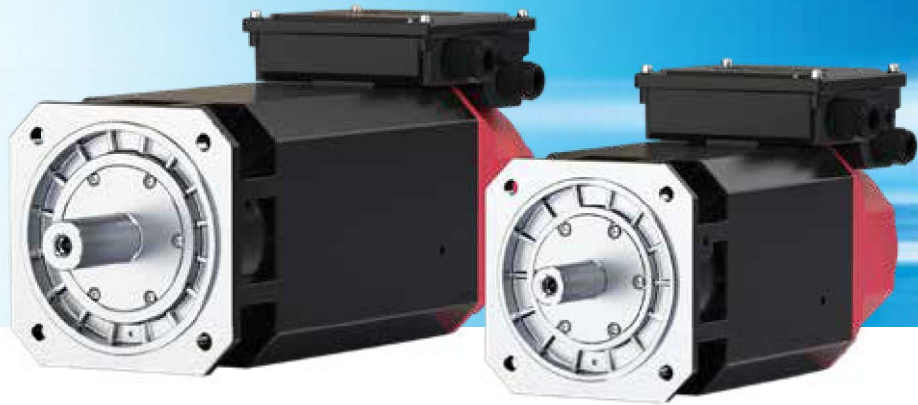


Unit: mm

Frame Code	A	AB	S	K	H	HD	HE	HA	AC	AD	D	E	C	T	B	BB	L	M	N	F	GD	GA	WH	LA	L1
Z18B4	224	250	4-Φ13	13	112	275	265	14	205	140	38	80	42	4	295	335	575	215	180	10	8	41	M12	14	60
Z18C1											48				235	272	555			14	9	51.5	M12	19	90
Z18C2	280	315	4-Φ15	15	160	365	340	20	265	155		110	38	4	280	317	600	265	230						
Z18C4											55				350	387	670			16	10	59			
Z18E1															345	410	770								
Z18E3	340	380	4-Φ19	17	180	415	395	21	320	155	60	140	55	5	480	545	905	350	300	18	11	64	M16	23	110
Z18E4															575	640	1000								
Z18F3															535	614	980								
Z18F4	400	440	8-Φ19	19	225	505	470	30	380	155	65	140	45	5	615	694	1060	400	350	18	11	69	M20	25	110
Z18G2															455	528	970								
Z18G3	500	550	8-Φ19	23	280	620	580	35	480	170	80	170	45	5	535	608	1050	500	450	22	14	85	M20	30	140
Z18G4															645	718	1160								
Z18H1															460	531	995								
Z18H2															560	631	1095								
Z18H3	620	680	8-Φ24	27	315	712	690	45	580	190	105	170	45	5	660	731	1195	600	550	28	16	111	M24	38	140
Z18H4															840	911	1375								

Z18H Series High Speed Servo Spindle Motor

- ◆ Torque range: 7 ~ 52N.m, Overload factor 3-5 times
- ◆ Voltage rating: 400V
- ◆ Max. speed: 24000 r/min
- ◆ Class of insulation: Class F
- ◆ Ambient temperature: -15°C~+45°C
- ◆ Ambient humidity: <20%~90%RH (non-condensing)



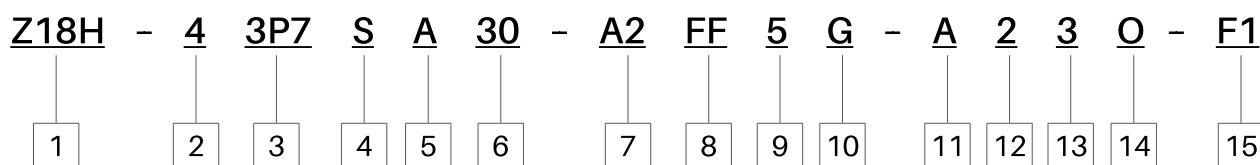
Product Features

- 1、 Laminated yoke, small size, and high output torque;
- 2、 Low rotational inertia, and rapid response;
- 3、 Wide range of operating speed (0-24000 rpm);
- 4、 Output of rated torque even at zero speed;
- 5、 High reliability, high stability, and high overload capacity;
- 6、 Little vibration, and low noise.

Industry Applications



Model Description

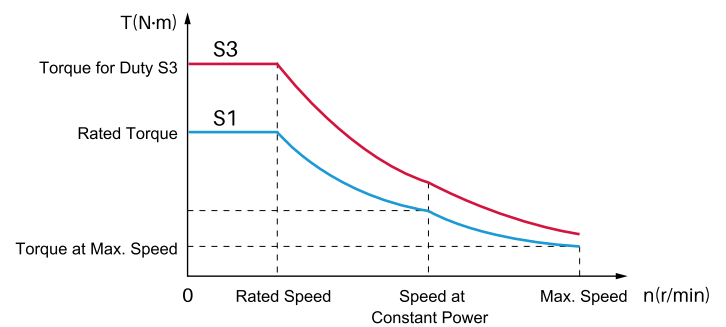
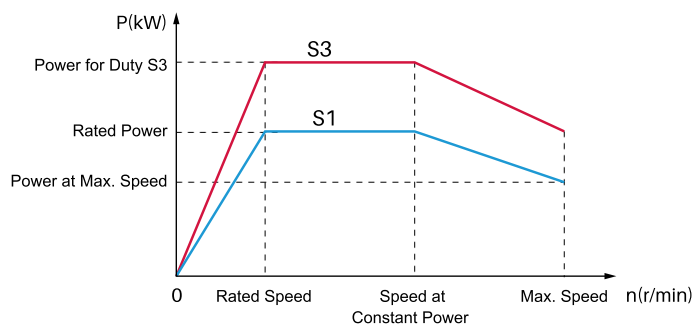


Code	Description	Instructions	Example Model
1	Product series	Z18H: Code of the motor series	Z18H Series High Speed Servo Spindle Motor
2	Voltage rating	2: 200V 4: 400V	400V
3	Power	See 'Standard Specifications'.	3.7kW
4	Encoder	Code Type of Encoder B None G Incremental encoder 512p 1024p S SinCos encoder 2048P	SinCos encoder
5	Frame code	Code Flange Size (L×W) mm S 145×145 A 175×175 B 205×205	Frame A
6	Basic speed	Code Speed (rpm) Code Speed (rpm) 05 500 60 6000 07 750 80 8000 10 1000 90 9000	Basic speed : 3000rpm
7	Speed at constant power	15 1500 A0 10000 20 2000 A2 12000 30 3000 B1 21000 40 4000 B4 24000 45 4500	Speed at constant power: 12000 rpm
8	Max. speed	Code Speed (rpm) F 12000 FF 15000 EF 18000 TF 24000	Max. speed : 15000 r/min
9	Mode of installation	5: Flange mounted	Flange mounted
10	Shaft extension	G: Bare shaft	Bare shaft
11	Smart card	A: with N: without	With smart card
12	Line incoming direction of junction box	2: Right incoming line of junction box 3: Left incoming line of junction box 5: Front line of junction box	Right incoming line of junction box
13	Incoming line of junction box	2: Waterproof junction box + black encoder plug 3: Waterproof junction box + aerospace encoder plug	Waterproof junction box + aerospace encoder plug
14	Export marking	O: Export motor (not for motors sold nationwide)	Export product
15	Code of nonstandard motor part	F1: Shaft extension F4: Stator F7: Encoder F2: Flange F5: Fan F3: Feet F6: Junction box	Nonstandard shaft extension

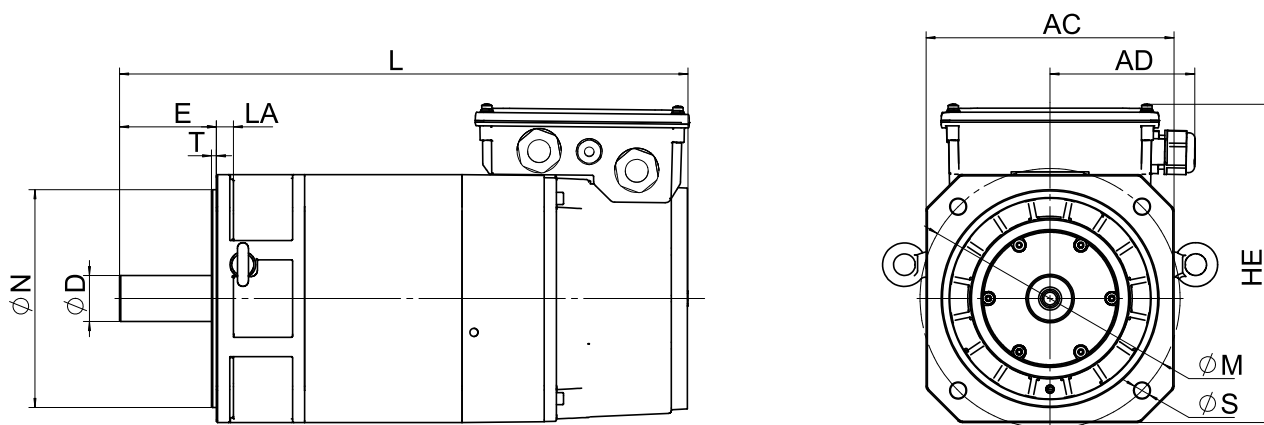
Electrical Specifications

Motor Model	Rated Power kW	Power for Duty S3 kW	Rated Torque N·m	Torque for Duty S3 N·m	Rated Current A	Rated Voltage V	Rated Frequency Hz	Rated Speed r/min	Max. Speed at Constant Power r/min	Max. Speed r/min	Rotational Inertia kg·m ²	Weight kg
Z18H-42P2XS30-XXXX	2.2	3	7	9.6	9.5	200	105.3	3000	24000	24000	0.0027	27.5
Z18H-43P7XS30-XXXX	3.7	4.5	11.8	14.3	16.1	200	106.1	3000	21000	24000	0.0039	33
Z18H-43P7XA30-XXXX	3.7	4.5	11.8	14.3	8.4	330	103.3	3000	12000	15000	0.0043	28
Z18H-45P5XA30-XXXX	5.5	7.5	17.5	23.9	12.4	355	102.5	3000	12000	15000	0.0069	38.5
Z18H-45P5XA20-XXXX	5.5	7.5	26	35.8	11.9	340	69.5	2000	8000	15000	0.009	47
Z18H-47P5XA30-XXXX	7.5	11	23	35	15.6	350	102.6	3000	12000	15000	0.009	47
Z18H-47P5XB20-XXXX	7.5	11	35	52.5	18.2	300	68.5	2000	8000	12000	0.0199	58
Z18H-47P5XB15-XXXX	7.5	11	47.8	70	24.1	240	51.2	1500	12000	12000	0.0325	84
Z18H-4011XB20-XXXX	11	15	52	71.6	26	305	68.1	2000	8000	12000	0.0325	
Z18H-4015XB30-XXXX	15	22	47.8	70	36.1	300	101.5	3000	12000	12000	0.0325	

Power Torque Curves



Overall Dimensions

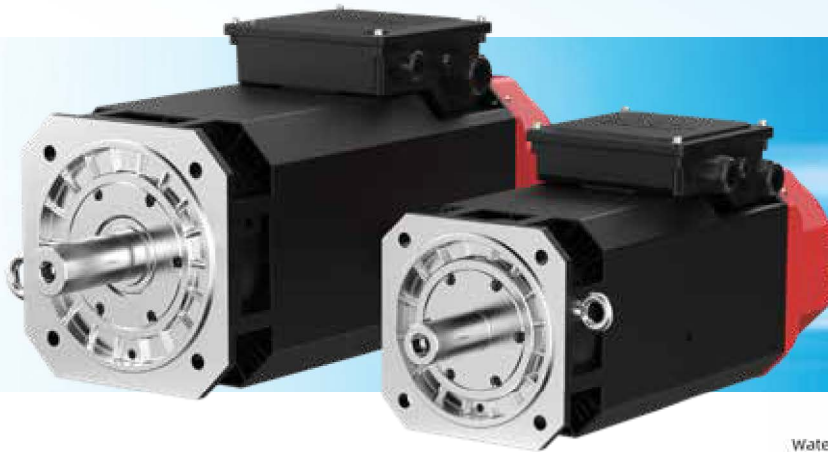


Unit: mm

Motor Model	S	HE	AC	AD	D	E	T	L	M	N	LA
Z18H-42P2XS30-XXXX	4- $\phi 9$	205	145	115	24	50	4	400	145	110	10
Z18H-43P7XS30-XXXX								450			
Z18H-43P7XA30-XXXX	4- $\phi 11$	235	175	115	28	60	4	375	185	150	12
Z18H-45P5XA30-XXXX								430			
Z18H-45P5XA20-XXXX								475			
Z18H-47P5XA30-XXXX								475			
Z18H-47P5XB20-XXXX	4- $\phi 13$	265	205	120	38	80	4	475	215	180	14
Z18H-47P5XB15-XXXX								575			
Z18H-4011XB20-XXXX								575			
Z18H-4015XB30-XXXX								575			

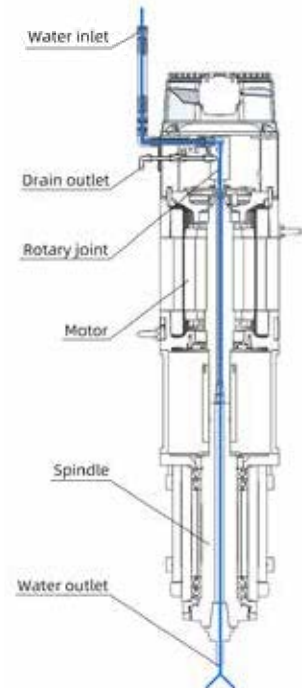
Z18L Through-Spindle Coolant Servo Spindle Motor

- ◆ Torque range: 11.8 ~ 143.3N.m
 - ◆ Voltage rating: 400V
 - ◆ Max. speed: 12000 r/min
 - ◆ Class of insulation: Class F
 - ◆ Ambient temperature: -15°C~+45°C
 - ◆ Ambient humidity: <20%-90%RH (non-condensing)
- ◆ Recommended minimum sealing pressure for different media for rotary joints:
Cutting fluid: pressure greater than 0.5Mpa, flow rate greater than 10L/min;
Oil mist: pressure greater than 0.2Mpa;
There will be leakage at the drainage outlet below the above pressure.



Product Features

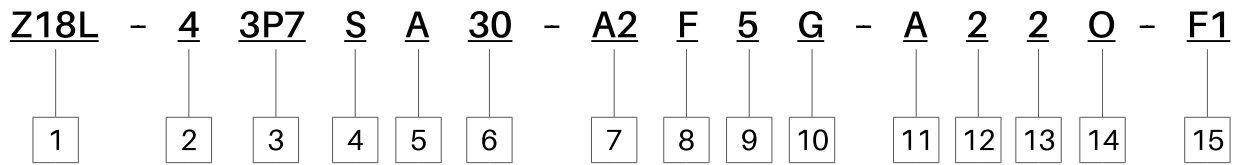
1. Fully laminated magnetic yoke, small size and high power density.
2. Supports wide speed operation (0~12000rpm).
3. Low vibration and noise.
4. High Efficiency and overload capacity.
5. The flexible connection of the rotary joint ensures reliable operation and high lifespan.
6. The Rotary Joint support operation without water/oil mist (dry running).



Industry Applications



Model Description

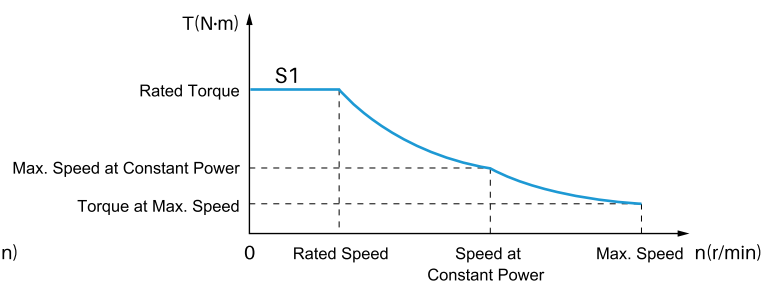
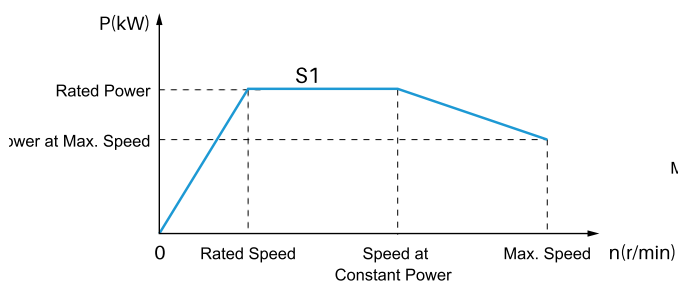


Code	Description	Instructions	Example Model
1	Product series	Z18L: Code of the motor series	Z18L Through-Spindle Coolant Servo Spindle Motor
2	Voltage rating	2: 200V 4: 400V	400V
3	Power	See 'Standard Specifications'.	3.7kW
4	Encoder	Code Type of Encoder B None G Incremental encoder 512p 1024p S SinCos encoder 2048P	SinCos encoder
5	Frame code	Code Flange Size (L×W) mm S 145×145 A 175×175 B 205×205	Frame A
6	Basic speed	Code Speed (rpm) 15 1500 20 2000 30 3000	Basic speed : 3000rpm
7	Speed at constant power	60 6000 80 8000 A2 12000	Speed at constant power: 12000 rpm
8	Max. speed	Code Speed (rpm) M 6000 H 8000 F 12000	Max. speed: 12000r/min
9	Mode of installation	5: Flange mounted	Flange mounted
10	Shaft extension	G: Bare shaft	Bare shaft
11	Smart card	A: with N: without	With smart card
12	Line incoming direction of junction box	2: Right incoming line of junction box 3: Left incoming line of junction box	Right incoming line of junction box
13	Incoming line of junction box	2: Waterproof junction box + black encoder plug 3: Waterproof junction box + aerospace encoder plug	Waterproof junction box + black encoder plug
14	Export marking	O: Export motor (not for motors sold nationwide)	Export product
15	Code of nonstandard motor part	F1: Shaft extension F4: Stator F7: Encoder F2: Flange F5: Fan F3: Feet F6: Junction box	Nonstandard shaft extension

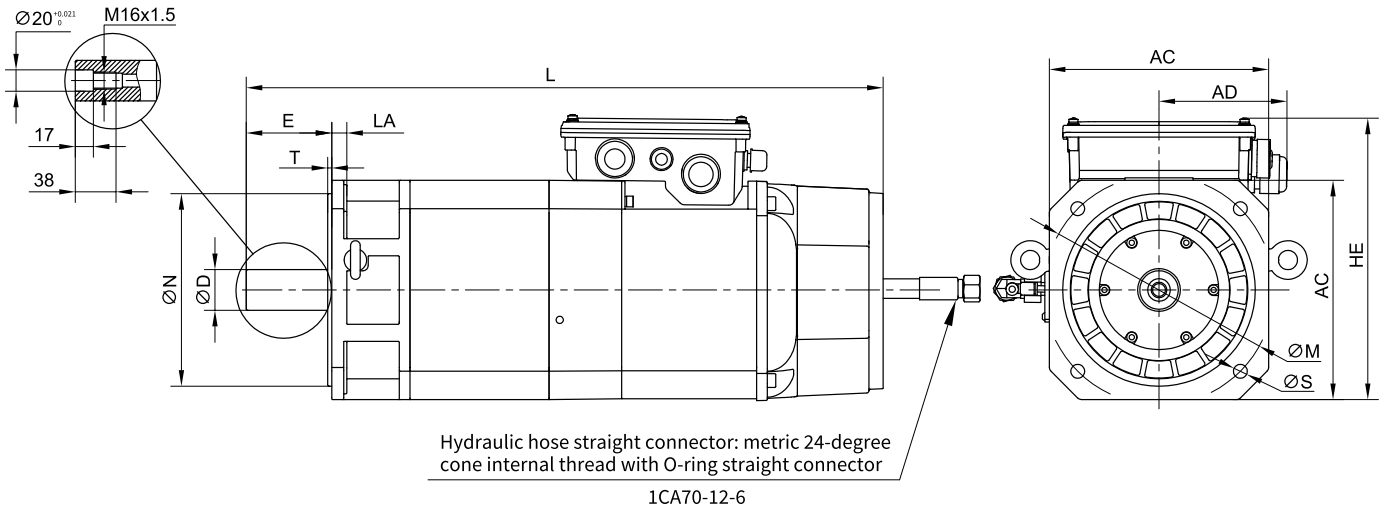
Electrical Specifications

Motor Model	Rated Power (kW)	Rated Torque (N·m)	Rated Current (A)	Rated Voltage (V)	Rated Frequency (Hz)	Rated Speed (r/min)	Max. Speed at Constant Power (r/min)	Max. Speed (r/min)	Rotational Inertia (kg·m ²)	Weight (kg)
Z18L-43P7XA30-A2FXX	3.7	11.8	8.4	330	103.3	3000	12000	12000	0.0043	31
Z18L-45P5XA30-A2FXX	5.5	17.5	12.4	355	102.5	3000	12000	12000	0.0069	42
Z18L-45P5XA20-80FXX	5.5	26	11.9	340	69.5	2000	8000	12000	0.009	50
Z18L-47P5XA30-A2FXX	7.5	23	15.6	350	102.6	3000	12000	12000		
Z18L-47P5XB20-80FXX	7.5	35	18.2	300	68.5	2000	8000	12000	0.0199	64
Z18L-47P5XB15-A2FXX	7.5	47.8	24.1	240	51.2	1500	12000	12000	0.0325	89
Z18L-4011XB20-80FXX	11	52	26	305	68.1	2000	8000	12000		
Z18L-4015XB30-A2FXX	15	47.8	36.1	300	101.5	3000	12000	12000		
Z18L-4011XC15-60HXX	11	70	27.2	290	51.1	1500	6000	8000	0.0717	114
Z18L-4015XC20-80HXX	15	71.6	37.2	285	67.7	2000	8000	8000		
Z18L-4015XC15-60HXX	15	95.5	37.8	280	51.2	1500	6000	8000	0.089	132
Z18L-4020XC20-80HXX	20	95.5	48.9	285	67.6	2000	8000	8000		
Z18L-4018XC15-60HXX	18.5	117.8	43.4	300	51.1	1500	6000	8000	0.1057	147
Z18L-4025XC20-80HXX	25	119.4	58.9	295	67.8	2000	8000	8000		
Z18L-4022XC15-60HXX	22	140.1	52.1	295	51	1500	6000	8000	0.1186	160
Z18L-4030XC20-80HXX	30	143.3	74.3	280	67.8	2000	8000	8000		

Power Torque Curves



Overall Dimensions



Unit: mm

Motor Model	S	HE	AC	AD	D	E	T	L	M	N	LA
Z18L-43P7XA30-A2FXX	4-Φ11	235	175	115	28	60	4	495	185	150	12
Z18L-45P5XA30-A2FXX								550			
Z18L-45P5XA20-80FXX								595			
Z18L-47P5XA30-A2FXX											
Z18L-47P5XB20-80FXX	4-Φ13	265	205	120	38	80	4	595	215	180	14
Z18L-47P5XB15-A2FXX								695			
Z18L-4011XB20-80FXX											
Z18L-4015XB30-A2FXX											
Z18L-4011XC15-60HXX	4-Φ15	335	265	130	48	110	4	685	265	230	19
Z18L-4015XC20-80HXX								730			
Z18L-4015XC15-60HXX											
Z18L-4020XC20-80HXX											
Z18L-4018XC15-60HXX					55			770			
Z18L-4025XC20-80HXX											
Z18L-4022XC15-60HXX											
Z18L-4030XC20-80HXX											

For installation and usage precautions, please refer to the "User Installation Manual for Z18L Through-Spindle Coolant Servo Spindle Motor"

S18 Permanent Magnet Synchronous Servo Motor

- ◆ Torque range: 6 ~ 56N.m
- ◆ Speed sensor: built-in absolute encoder, etc.
- ◆ Rated speed: 1500 ~ 3000rpm
- ◆ Voltage rating: 400V

Old



New



10-pole rotor

12-slot stator

Spliced stator



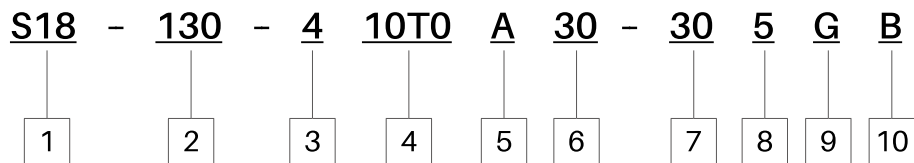
Product Features

- 1、 Built-in high precision absolute encoder for better positioning accuracy and operational stability at low speed; high precision and high dynamic response control.
- 2、 New magnetic field analysis and motor manufacturing technologies reduce torque ripples, thus improving speed stability and reducing torque ripples of the servo system.
- 3、 New stator lamination and splicing technology reduces temperature rise and improves electromagnetic performance of the motors, thus improving their efficiency and reliability.

Industry Applications



Model Description (Take 10N.m motor for example)



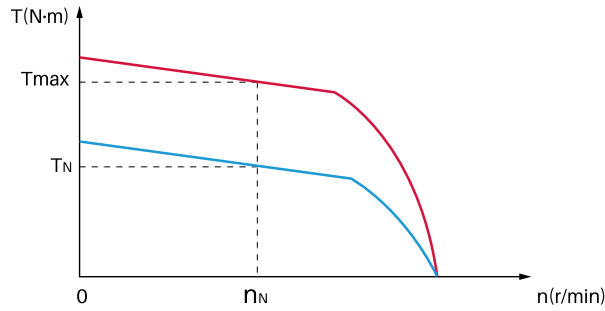
Code	Description	Instructions	Example Model
1	Product series	S18: manufacturer's motor code	S18 series permanent magnet synchronous servo motor
2	Frame code	Flange size: 130×130、180×180	130×130
3	Voltage rating	4: 400V	400V
4	Torque	See 'Standard Specifications'.	10N·m
5	Type of encoder	Code Type of Encoder B None A Absolute encoder	Built-in absolute encoder
6	Basic speed	Code Speed (rpm) 15 1500 20 2000 25 2500 30 3000	Basic speed: 3000 rpm
7	Max. speed		Max. speed: 3000 rpm
8	Mode of installation	5: Flange mounted	B5 flange mounted
9	Shaft extension	G: Bare shaft J: Shaft with standard key slots	Bare shaft
10	Brake	B: Electromagnetic power-off brake	Brake

Electrical Specifications

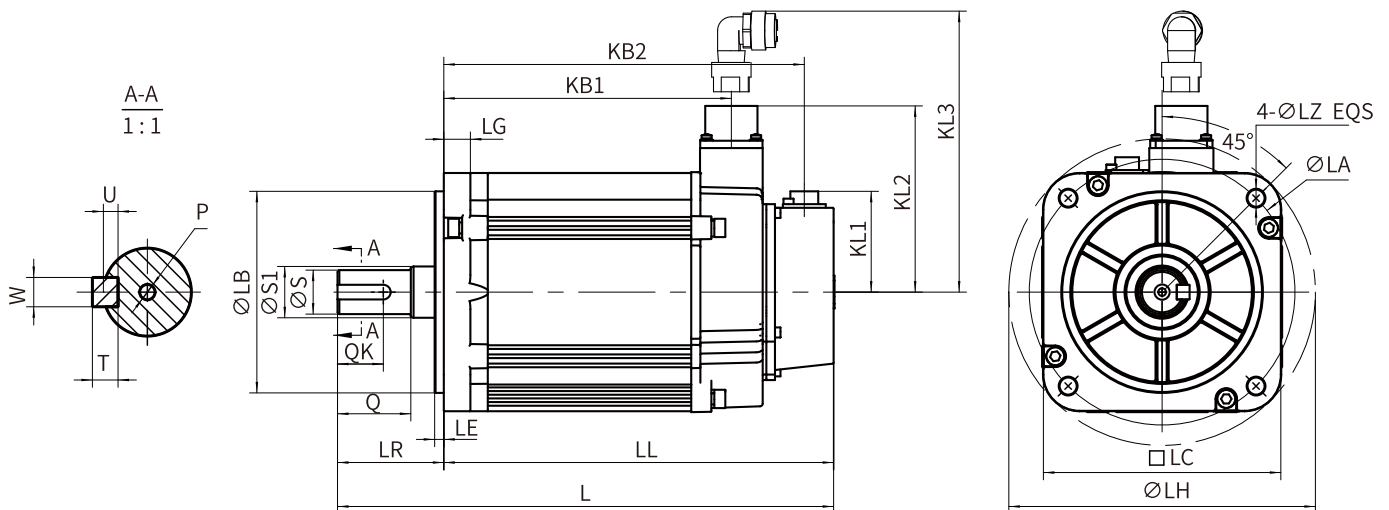
Motor Model	Rated Torque	Max. Torque	Rated Speed	Rated Power	Rated Current	Back EMF Constant	Rotational Inertia (with brake)	Weight (with brake)
	N·m	N·m	r/min	kW	A	V/kr/min	×10 ⁻⁴ kg·m ²	kg
S18-130-406T0A30-30X	6	11.8	3000	1.9	4	95	12.3 (12.4)	5.4 (6.9)
S18-130-408T0A30-30X	8	16.2	3000	2.5	5.8	88.7	17.9 (18.0)	6.8 (9.2)
S18-130-410T0A30-30X	10	18.3	3000	3.1	7.2	88.7	17.9 (18.0)	6.8 (9.2)
S18-130-412T0A30-30X	12	23.8	3000	3.8	9.0	85.3	23.5 (23.6)	8.4 (11.8)
S18-130-416T0A30-30X	16	31.6	3000	5.1	10.4	97.3	31.0 (31.1)	10.4 (13.7)

Motor Model	Rated Torque	Max. Torque	Rated Speed	Rated Power	Rated Current	Back EMF Constant	Rotational Inertia (with brake)	Weight (with brake)
	N·m	N·m	r/min	kW	A	V/kr/min	$\times 10^4 \text{kg}\cdot\text{m}^2$	kg
S18-180-420T0A15-15X	20	36	1500	3.2	6.1	211.3	46.6 (47.4)	14.0 (19.0)
S18-180-430T0A15-15X	30	48	1500	4.7	9.1	224	67.5 (68.3)	17.5 (23.0)
S18-180-435T0A15-15X	35	63	1500	5.5	10.2	216	90.1 (90.9)	22.0 (27.5)
S18-180-448T0A15-15X	48	77	1500	7.5	13.7	231.7	132.0 (132.8)	29.5 (35.0)
S18-180-456T0A15-15X	56	112	1500	8.8	16.6	216	173.8 (174.6)	37.5 (43.0)
S18-180-420T0A30-30X	20	36	3000	6.3	12.2	110.7	46.6 (47.4)	14.0 (19.0)
S18-180-430T0A30-30X	30	48	3000	9.4	18.3	112	67.5 (68.3)	17.5 (23.0)
S18-180-435T0A30-30X	35	63	3000	11	20.5	108	90.1 (90.9)	22.0 (27.5)
S18-180-448T0A30-30X	48	77	3000	15.0	27.7	115.8	132.0 (132.8)	29.5 (35.0)
S18-180-456T0A30-30X	56	112	3000	17.6	31.9	108	173.8 (174.6)	37.5 (43.0)

Power Torque Curves



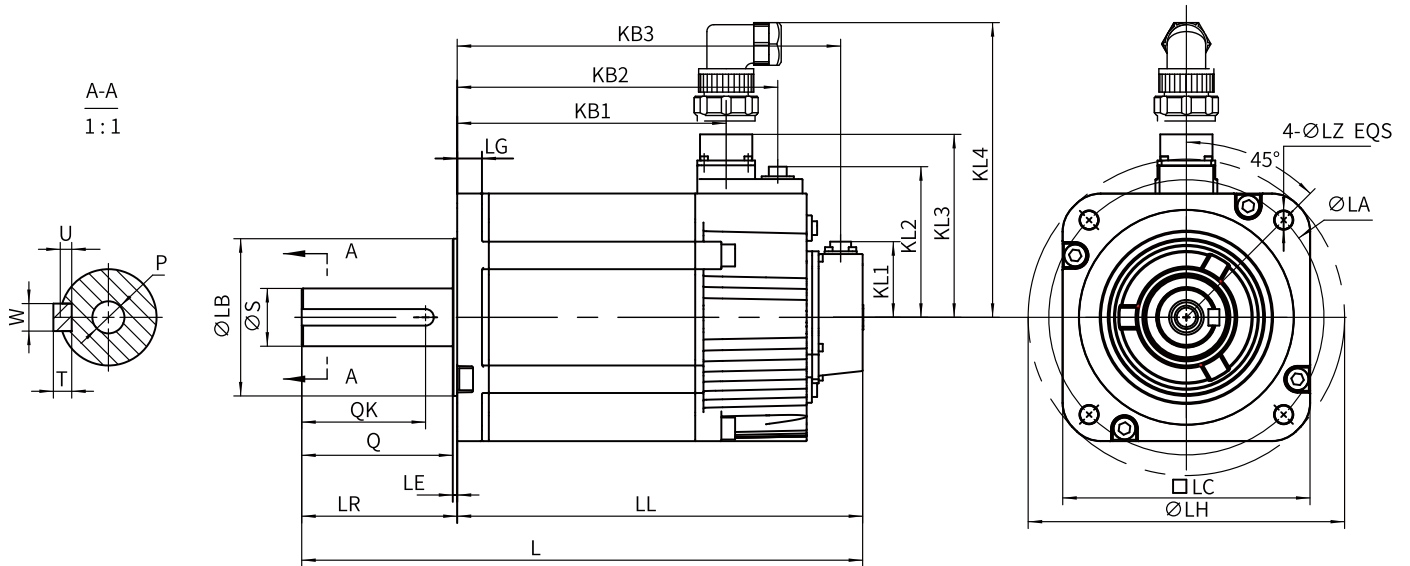
Overall Dimensions Frame Code: S18-130



Unit: mm

Motor Model	L	LL	KB1	KB2	KL1	KL2	KL3	Flange Size							Shaft Extension Spec										
								LA	LB	LC	LE	LG	LH	LZ	S	S1	LR	QK	Q	W	T	U	P		
S18-130-406T0A30-30X	197	139	83	123													19h6					5	5	3	
S18-130-408T0A30-30X	214	156	100	140	55	102	160	145	110h7	130	5	14.5	168	9	28	58	25	40				6	6	3.5	M5x12
S18-130-410T0A30-30X																									
S18-130-412T0A30-30X	231	173	117	157													24h6					8	7	4	
S18-130-416T0A30-30X	253	195	139	179																					
S18-130-406T0A30-30XB	235	177	121	161													19h6					5	5	3	
S18-130-408T0A30-30XB	251	193	137	177	55	102	160	145	110h7	130	5	14.5	168	9	28	58	25	40				6	6	3.5	M5x12
S18-130-410T0A30-30XB																									
S18-130-412T0A30-30XB	271	213	157	197													24h6					8	7	4	
S18-130-416T0A30-30XB	293	235	179	219																					

Overall Dimensions Frame Code: S18-180



Unit: mm

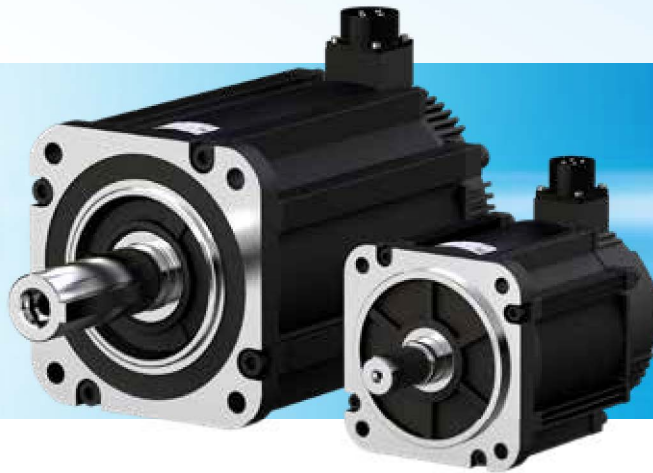
Motor Model	L	LL	KB1	KB2	KB3	KL1	KL2	KL3	KL4	Flange Size							Shaft Extension Spec								
										LA	LB	LC	LE	LG	LH	LZ	S	LR	QK	Q	W	T	U	P	
S18-180-420T0A15-15X	281.2	202.2	145.5		185.7																				
S18-180-420T0A30-30X	281.2	202.2	145.5	-	185.7	55	-	132.5	200	200	114.3h6	180	3.2	18	230	13	35	79	60	76	10	8	5	M12x25	

Unit: mm

Motor Model	L	LL	KB1	KB2	KB3	KL1	KL2	KL3	KL4	Flange Size							Shaft Extension Spec									
										LA	LB	LC	LE	LG	LH	LZ	S	LR	QK	Q	W	T	U	P		
S18-180-430T0A15-15X	306.2	227.2	170.5		210.7													35	79	60	76	10	8	5	M12x25	
S18-180-430T0A30-30X	306.2	227.2	170.5		210.7																					
S18-180-435T0A15-15X	365.2	252.2	195.5		235.7																					
S18-180-435T0A30-30X	365.2	252.2	195.5		235.7																					
S18-180-448T0A15-15X	415.2	302.2	245.5		285.7	55	-	132.5	200	200	114.3h6	180	3.2	18	230	13		42	113	90	110	12	8	5	M16x32	
S18-180-448T0A30-30X	415.2	302.2	245.5		285.7																					
S18-180-456T0A15-15X	465.2	352.2	296		335.7																					
S18-180-456T0A30-30X	465.2	352.2	296		335.7																					
S18-180-420T0A15-15XB	324.2	245.2	145.5	183	229																					
S18-180-420T0A30-30XB	324.2	245.2	145.5	183	229																					
S18-180-430T0A15-15XB	349.2	270.2	170.5	208	254																					
S18-180-430T0A30-30XB	349.2	270.2	170.5	208	254																					
S18-180-435T0A15-15XB	408.2	295.2	195.5	233	279	55	109.5	132.5	200	200	114.3h6	180	3.2	18	230	13										
S18-180-435T0A30-30XB	408.2	295.2	195.5	233	279																					
S18-180-448T0A15-15XB	458.2	345.2	245.5	283	329																					
S18-180-448T0A30-30XB	458.2	345.2	245.5	283	329																					
S18-180-456T0A15-15XB	508.2	395.2	296	333	379																					
S18-180-456T0A30-30XB	508.2	395.2	296	333	379																					

S18B Series Universal Servo Motor

- ◆ Torque range: 6 ~ 56N.m
- ◆ Speed sensor: built-in absolute encoder, etc.
- ◆ Rated speed: 1500 ~ 3000rpm
- ◆ Voltage rating: 400V



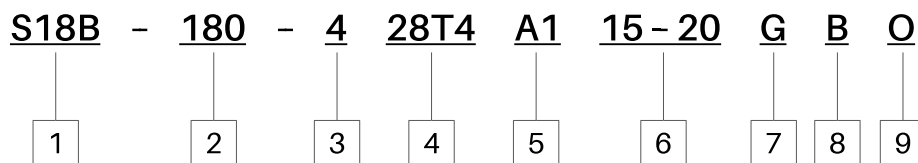
Product Features

- 1、 Built-in high precision absolute encoder for better positioning accuracy and operational stability at low speed; high precision and high dynamic response control.
- 2、 New magnetic field analysis and motor manufacturing technologies reduce torque ripples, thus improving speed stability and reducing torque ripples of the servo system.
- 3、 New stator lamination and splicing technology reduces temperature rise and improves electromagnetic performance of the motors, thus improving their efficiency and reliability.

Industry Applications



Model Description (Take 28.4N.m motor for example)



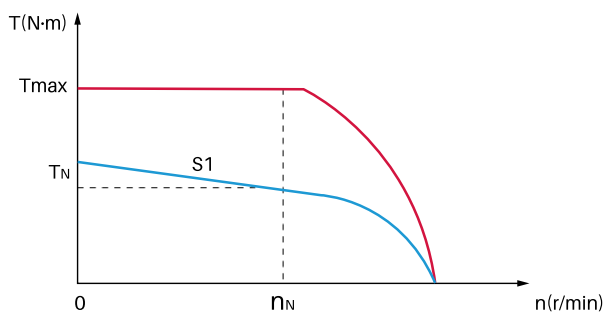
Code	Description	Instructions	Example Model
1	Product series	S18B: manufacturer's motor code	S18 series permanent magnet synchronous servo motor
2	Frame code	130: 130×130 180 : 180×180	180×180
3	Voltage rating	4: 400V级	400V
4	Torque	See 'Standard Specifications'.	28.4N·m
5	Type of encoder	Code Type of encoder A1 17bitSingle cycle absolute value encoder A3 23bit多 Multi cycle absolute value encoder B None	17bitSingle cycle absolute value encoder
6	Basic speed	Code Speed r/min Code Speed r/min 15 1500 25 2500	Basic speed: 1500r/min
	Max. speed	20 2000 30 3000	Max. speed: 2000r/min
7	Shaft extension	G: Bare shaft J: Shaft with standard key slots	Bare shaft
8	Brake	B: Electromagnetic power-off brake	Brake
9	Export marking	O: Export motor (not for motors sold nationwide)	Export product

Electrical Specifications Frame Code: S18B-130

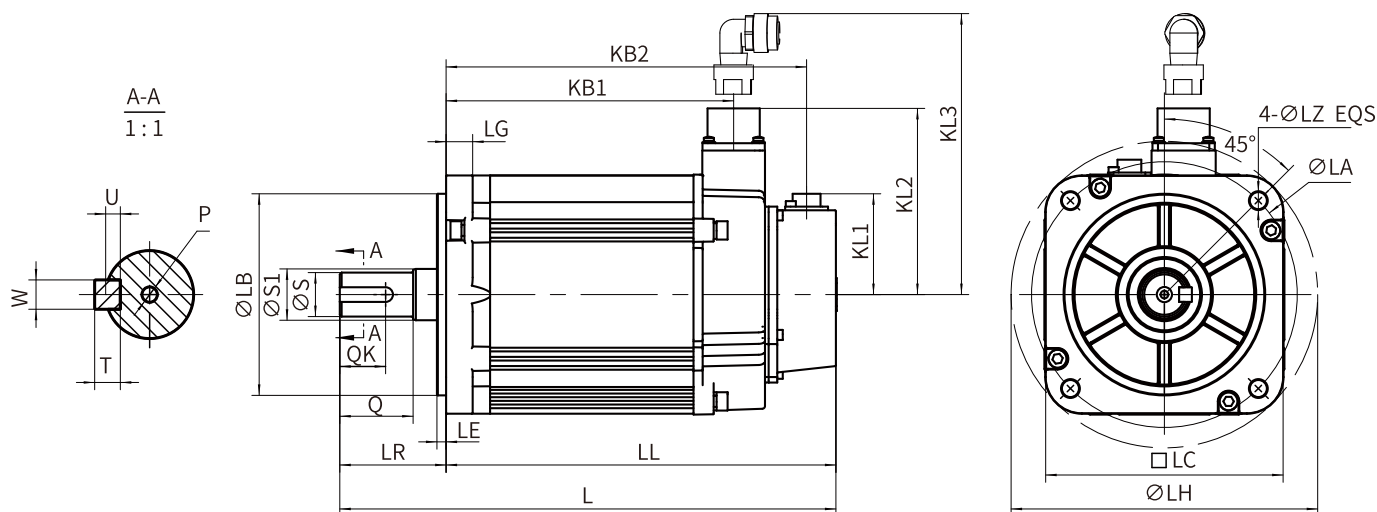
Motor Model	Rated Torque N·m	Max. Torque N·m	Rated Speed r/min	Rated Power kW	Rated Current A	Back EMF Constant V/kr/min	Max. Speed r/min	Max. Current A	Rotational Inertia (with brake) ×10 ⁻⁴ kg·m ²	Weight (with brake) kg
S18B-130-405T4X15-20X	5.4	13.5	1500	0.8	1.95	176.8	2000	4.9	17.9 (18)	6.8(9.2)
S18B-130-408T4X15-20X	8.4	21	1500	1.3	3.12	170.1	2000	7.9	23.5(23.6)	8.4 (11.8)
S18B-130-411T5X15-20X	11.5	28.8	1500	1.8	4	180.2	2000	10.2	31 (31.1)	10.4 (13.7)
S18B-130-405T4X20-30X	5.4	13.5	2000	1.1	2.9	122.0	3000	7.2	17.9 (18)	6.8(9.2)
S18B-130-408T4X20-30X	8.4	21	2000	1.8	4.5	119.0	3000	11.5	23.5(23.6)	8.4 (11.8)
S18B-130-411T5X20-30X	11.5	28.8	2000	2.4	6.8	108.0	3000	17.1	31 (31.1)	10.4 (13.7)

Motor Model	Rated Torque N·m	Max. Torque N·m	Rated Speed r/min	Rated Power kW	Rated Current A	Back EMF Constant V/kr/min	Max. Speed r/min	Max. Current A	Rotational Inertia (with brake) $\times 10^{-4} \text{kg}\cdot\text{m}^2$	Weight (with brake) kg
S18B-180-418T6X15-20X	18.6	46.5	1500	2.9	6.7	177.3	2000	17.3	67.5 (68.3)	17.5 (23)
S18B-180-428T4X15-20X	28.4	71	1500	4.5	10.7	169.3	2000	28	90.1(90.9)	22 (27.5)
S18B-180-435T0X15-20X	35	87.5	1500	5.5	12.6	177.3	2000	32.4	132.0 (132.8)	29.5 (35)
S18B-180-448T0X15-20X	48	120	1500	7.5	17	179.9	2000	46	173.8 (174.6)	37.5 (43)
S18B-180-418T6X20-30X	18.6	46.5	2000	3.9	10.6	112.0	3000	27.5	67.5 (68.3)	17.5 (23)
S18B-180-428T4X20-30X	28.4	71	2000	6.0	16.8	108.0	3000	44.1	90.1(90.9)	22 (27.5)
S18B-180-435T0X20-30X	35	87.5	2000	7.3	19.3	115.5	3000	49.7	132.0 (132.8)	29.5 (35)

Power Torque Curves



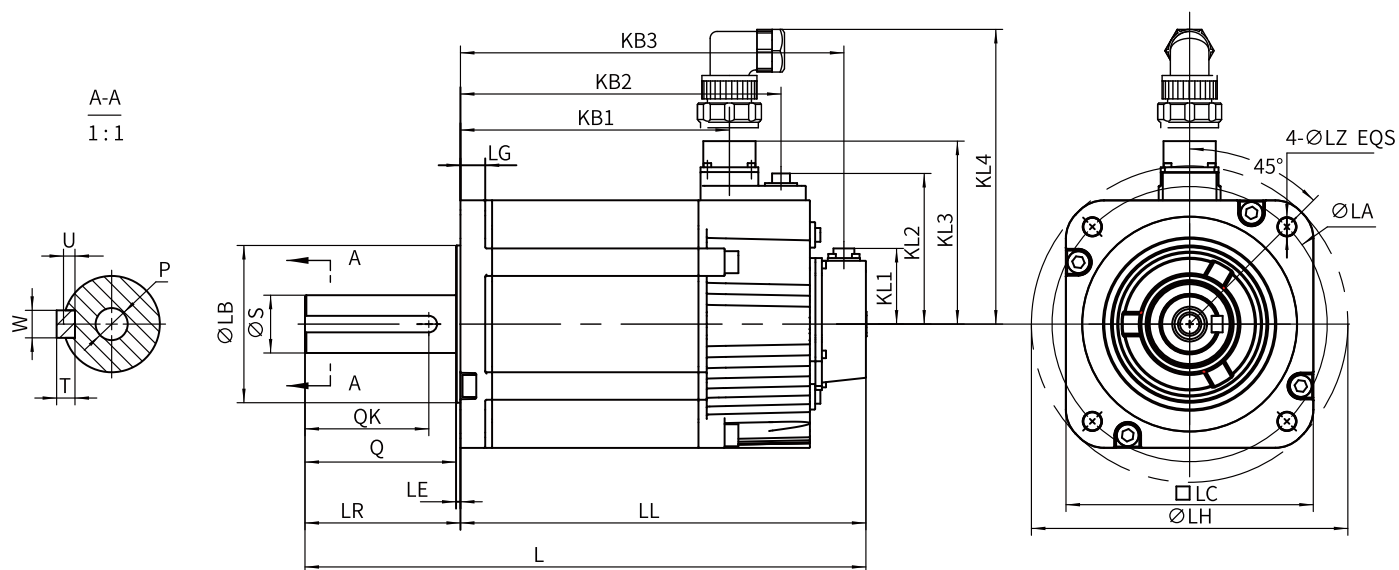
Overall Dimensions Frame Code: S18B-130



Unit: mm

Motor Model	L	LL	KB1	KB2	KL1	KL2	KL3	Flange Size							Shaft Extension Spec										
								LA	LB	LC	LE	LG	LH	LZ	S	S1	LR	QK	Q	W	T	U	P		
S18B-130-405T4XXX-XX	214	156	100	140													22h6					6	6	3.5	
S18B-130-408T4XXX-XX	231	173	117	157	55	102	160	145	110h7	130	5	14.5	168	9		24h6	28	58	25	40		8	7	4	M5×12
S18B-130-411T5XXX-XX	253	195	139	179												24h6						8	7	4	
S18B-130-405T4XXX-XXB	251	193	137	177												22h6						6	6	3.5	
S18B-130-408T4XXX-XXB	271	213	157	197	55	102	160	145	110h7	130	5	14.5	168	9		24h6	28	58	25	40		8	7	4	M5×12
S18B-130-411T5XXX-XXB	293	235	179	219												24h6						8	7	4	

Overall Dimensions Frame Code: S18B-180

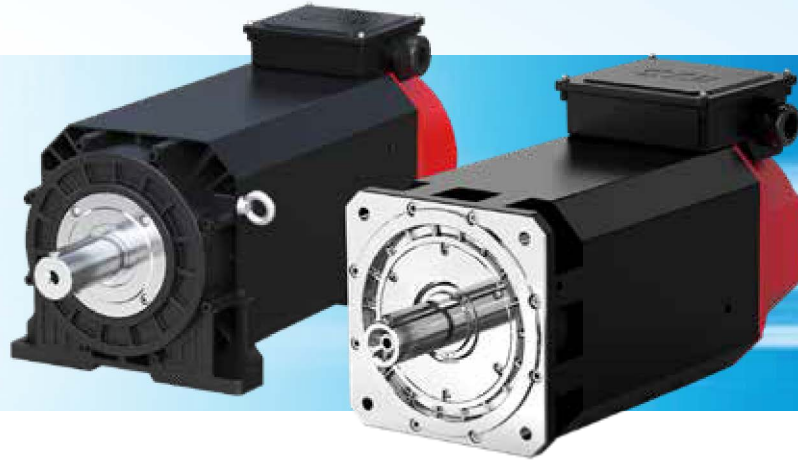


Unit: mm

Motor Model	L	LL	KB1	KB2	KB3	KL1	KL2	KL3	KL4	Flange Size							Shaft Extension Spec								
										LA	LB	LC	LE	LG	LH	LZ	S	LR	QK	Q	W	T	U	P	
S18B-180-418T6XXX-XX	306.2	227.2	170.5		211												35	79	60	76	10	8	5	M12x25	
S18B-180-428T4XXX-XX	365.2	252.2	195.5		236	55	-	132.5	200	200	114.3h6	180	3.2	23	230	13									
S18B-180-435T0XXX-XX	415.2	302.2	245.5		286												42	113	90	110	12	8	5	M16x32	
S18B-180-448T0XXX-XX	465.2	352.2	295.5		336																				
S18B-180-418T6XXX-XXB	349.2	270.2	170.5	208	254												35	79	60	76	10	8	5	M12x25	
S18B-180-428T4XXX-XXB	408.2	295.2	195.5	233	279	55	109.5	132.5	200	200	114.3h6	180	3.2	23	230	13									
S18B-180-435T0XXX-XXB	458.2	345.2	245.5	283	329												42	113	90	110	12	8	5	M16x32	
S18B-180-448T0XXX-XXB	508.2	395.2	295.5	333	379																				

P18S Series High Response Permanent Magnet Synchronous Servo Motor

- ◆ Power range: 5.5~450kW
- ◆ Duty type: continuous (S1)
- ◆ Max. speed: 6000 r/min
- ◆ Encoder: built-in (options: magnetic, incremental, rotary, SinCos, absolute)
- ◆ Heat radiation: forced air cooling
- ◆ Installation structure: B3(V5 V6)/B5(V1 V3)/B35(V15 V35)
- ◆ IP rating: IP55 (IEC60034-5)
- ◆ Class of vibration: A
- ◆ Noise: ≤70 dB(A)
- ◆ Class of insulation: Class F
- ◆ Ambient temperature: -15°C~+45°C
- ◆ Ambient humidity: <20%~90%RH (non-condensing)



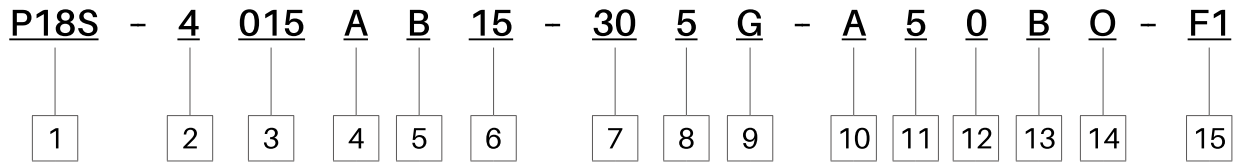
Product Features

1. Rich product variety: covering 6 machine base sizes, over 100 models, and can also be customized to meet customers' different usage scenarios.
2. High efficiency and wide high-efficiency zone: Special magnetic and thermal circuit designs not only result in low losses but also high heat dissipation efficiency.
3. High power density: High performance magnetic steel and silicon steel sheets achieve small size and high performance of the motor.
4. Wide speed range: adopting an embedded rotor structure, with strong weak magnetic expansion ability.
5. High dynamic response: The motor overload capacity can reach more than 3 times, and it has a small moment of inertia, achieving high dynamic response of the motor.
6. Smooth operation: Special pole slot coordination and winding form achieve weak tooth slot torque and small torque ripple.
7. Strong anti demagnetization ability: using high-performance neodymium iron boron material and anti demagnetization magnetic circuit design.
8. High reliability: The motor adopts high-performance effective materials and insulation materials to ensure the service life of the motor.

Industry Applications



Model Description (Take 15 kW, 1500 rpm motor for example)



Code	Description	Instructions	Example Model
1	Product series	P18S: code of the motor series	P18S Series synchronous Servo Motors
2	Voltage rating	2: 200V 4: 400V	400V
3	Power code	See 'Standard Specifications'.	15kW
4	Type of encoder	Code Type of encoder B None C Magnetic encode 128T、256T G Incremental encoder 1024p、2500p、8192P R Rotary transformer 1024P S SinCos encoder 2048P A Absolute encoder 23bit	Absolute encoder 23bit
5	Frame code	Code Flange Size (L×W) mm Code Flange Size (L×W) mm B 205×205 F 380×380 C 265×265 G 480×480 E 320×320 H 580×580	Frame B
6	Basic speed	Code Speed r/min Code Speed r/min 05 500 30 3000 07 750 40 4000	Basic speed: 1500 rpm
7	Speed at constant power	10 1000 45 4500 15 1500 60 6000 20 2000	Speed at constant power: 3000 rpm
8	Mode of installation	3: Horizontal 5: Flange mounted 35: Horizontal + flange mounted	Flange mounted
9	Shaft extension	G: Bare shaf J: Splined shaft	Bare shaft
10	Smart card	A: with N: without	With smart card
11	Line incoming direction of junction box	2: Right incoming line of junction box 3: Left incoming line of junction box 5: Front line of junction box	Front line of junction box
12	Incoming line of junction box	0: Standard junction box + black encoder plug 1: Standard junction box + aerospace encoder plug 2: Waterproof junction box + black encoder plug 3: Waterproof junction box + aerospace encoder plug	Standard junction box + black encoder plug
13	Brake	B: With brake (not for motors without brake)	With brake
14	Export marking	O: Export motor (not for motors sold nationwide)	Export product
15	Code of nonstandard motor part	F1: Shaft extension F4: Stator F7: Encoder F2: Flange F5: Fan F3: Feet F6: Junction box	Nonstandard shaft extension

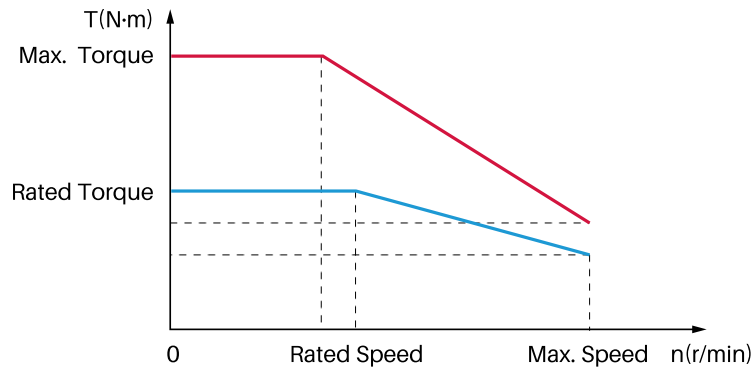
Electrical Specifications

Frame Code	Motor Model	Rated Power kW	Rated Torque N·m	Rated Current A	Rated Speed r/min	Max. Torque N·m	Max. Current A	Max. Speed r/min	Rated Frequency Hz	Back EMF Constant V/kr/min	Rotational Inertia kg·m ²	Weight kg
P18SB1	P18S-45P5XB10-20XX	5.5	53	11	1000	142	34.5	2000	67	249	0.0067	55
	P18S-47P5XB15-30XX	7.5	48	14.1	1500	129	42.5	3000	100	175		
	P18S-4010XB20-40XX	10	48	18.8	2000	129	55.2	4000	133	133		
	P18S-4014XB30-60XX	14	45	26	3000	120	73	6000	200	90		
P18SB2	P18S-47P5XB10-20XX	7.5	72	14.6	1000	193	46	2000	67	271	0.0087	62
	P18S-49P5XB15-30XX	9.5	60	18	1500	163	50	3000	100	169		
	P18S-4011XB15-30XX	11	70	21	1500	189	65	3000	100	178		
	P18S-4014XB20-40XX	14	67	26.5	2000	180	80	4000	133	131		
	P18S-4018XB30-60XX	18.5	59	34	3000	159	96	6000	200	87		
P18SB3	P18S-49P5XB10-20XX	9.5	91	18.2	1000	245	55	2000	67	259	0.0112	71
	P18S-4015XB15-30XX	15	96	28	1500	258	89	3000	100	176		
	P18S-4018XB20-40XX	18.5	88	35	2000	239	104	4000	133	132		
	P18S-4022XB30-60XX	22	70	40	3000	189	108	6000	200	93		
P18SB4	P18S-4011XB10-20XX	11	105	20.5	1000	284	57.5	2000	67	270	0.0143	83
	P18S-4018XB15-30XX	18.5	118	34	1500	318	102	3000	100	180		
	P18S-4022XB20-40XX	22	105	41	2000	284	116	4000	133	135		
	P18S-4028XB30-60XX	28	89	50	3000	241	131	6000	200	96		
P18SB5	P18S-4015XB10-20XX	15	143	28.5	1000	387	86	2000	67	261	0.0170	92
	P18S-4022XB15-30XX	22	140	42	1500	378	123	3000	100	177		
	P18S-4028XB20-40XX	28	134	50	2000	361	146	4000	133	138		
	P18S-4037XB30-60XX	37	118	68	3000	318	185	6000	200	92		
P18SC2	P18S-4018XC10-20XX	18.5	177	33.5	1000	530	124	2000	67	276	0.0297	138
	P18S-4030XC15-30XX	30	191	55	1500	573	222	3000	100	182		
	P18S-4037XC20-40XX	37	177	69.5	2000	530	255	4000	133	134		
P18SC3	P18S-4022XC10-20XX	22	210	40	1000	630	146	2000	67	276	0.0359	152
	P18S-4037XC15-30XX	37	236	68	1500	707	285	3000	100	181		
	P18S-4045XC20-40XX	45	215	85	2000	645	315	4000	133	133		
P18SC5	P18S-4030XC10-20XX	30	287	56	1000	860	220	2000	67	267	0.0470	174
	P18S-4045XC15-30XX	45	287	82.5	1500	860	323	3000	100	182		
	P18S-4060XC20-40XX	60	287	112	2000	860	439	4000	133	134		
P18SC6	P18S-4037XC10-20XX	37	353	70	1000	1060	284	2000	67	262	0.0511	193
	P18S-4055XC15-30XX	55	350	105	1500	1051	418	3000	100	175		
	P18S-4075XC20-40XX	75	358	142	2000	1074	588	4000	133	131		
P18SE1	P18S-4030XE10-20XX	30	287	53	1000	860	165	2000	67	284	0.1301	237
	P18S-4045XE15-30XX	45	287	85	1500	860	268	3000	100	185		
	P18S-4055XE20-40XX	55	263	94	2000	788	282	4000	133	148		
P18SE2	P18S-4037XE10-20XX	37	353	67	1000	1060	206	2000	67	278	0.1624	266
	P18S-4055XE15-30XX	55	350	100	1500	1051	306	3000	100	185		
	P18S-4070XE20-40XX	70	334	127	2000	1003	384	4000	133	139		
P18SE3	P18S-4045XE10-20XX	45	430	78	1000	1289	239	2000	67	289	0.1870	301
	P18S-4065XE15-30XX	65	414	113	1500	1242	342	3000	100	193		
	P18S-4080XE20-40XX	80	382	132	2000	1146	388	4000	133	155		
P18SE4	P18S-4055XE10-20XX	55	525	96	1000	1576	297	2000	67	290	0.2328	312
	P18S-4080XE15-30XX	80	509	140	1500	1528	427	3000	100	193		
	P18S-4090XE20-40XX	90	430	161	2000	1289	467	4000	133	145		

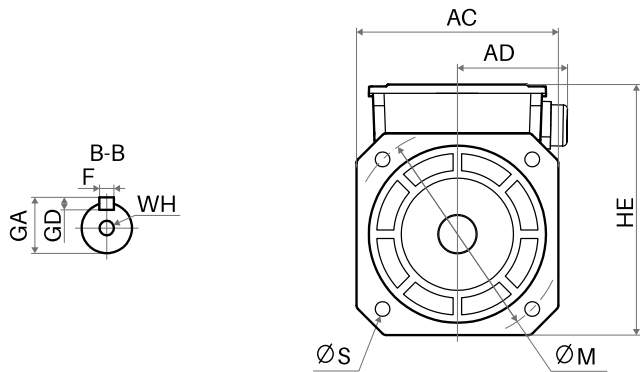
Frame Code	Motor Model	Rated Power kW	Rated Torque N·m	Rated Current A	Rated Speed r/min	Max. Torque N·m	Max. Current A	Max. Speed r/min	Rated Frequency Hz	Back EMF Constant V/kr/min	Rotational Inertia kg·m ²	Weight kg
P18SF1	P18S-4030XF05-10XX	30	573	52.8	500	1433	141	1000	33	582	0.1896	355
	P18S-4045XF07-15XX	45	573	80.2	750	1433	214	1500	50	383		
	P18S-4060XF10-20XX	60	573	109	1000	1433	290	2000	67	283		
	P18S-4090XF15-30XX	90	573	154	1500	1433	412	3000	100	200		
P18SF2	P18S-4037XF05-10XX	37	707	66	500	1767	176	1000	33	576	0.2587	397
	P18S-4055XF07-15XX	55	700	102	750	1751	270	1500	50	369		
	P18S-4075XF10-20XX	75	716	134	1000	1791	358	2000	67	287		
	P18S-4110XF15-30XX	110	700	204	1500	1751	542	3000	100	185		
P18SF3	P18S-4045XF05-10XX	45	860	79.8	500	2149	207	1000	33	580	0.3036	462
	P18S-4075XF07-15XX	75	955	133	750	2388	354	1500	50	387		
	P18S-4090XF10-20XX	90	860	153	1000	2149	395	2000	67	304		
	P18S-4125XF15-30XX	125	796	223	1500	1990	567	3000	100	193		
P18SF4	P18S-4055XF05-10XX	55	1051	100	500	2626	260	1000	33	566	0.3592	513
	P18S-4090XF07-15XX	90	1146	168	750	2865	448	1500	50	367		
	P18S-4110XF10-20XX	110	1051	189	1000	2626	490	2000	67	300		
	P18S-4160XF15-30XX	160	1019	276	1500	2547	710	3000	100	200		
P18SG1	P18S-4055XG05-10XX	55	1051	99.5	500	2626	261	1000	50	538	0.7377	563
	P18S-4075XG07-15XX	75	955	131	750	2388	335	1500	75	373		
	P18S-4090XG10-20XX	90	860	153	1000	2149	382	2000	100	290		
	P18S-4110XG15-30XX	110	700	197	1500	1751	476	3000	150	187		
P18SG2	P18S-4075XG05-10XX	75	1433	142	500	3581	384	1000	50	514	0.9533	626
	P18S-4090XG07-15XX	90	1146	153	750	2865	386	1500	75	385		
	P18S-4110XG10-20XX	110	1051	192	1000	2626	478	2000	100	283		
	P18S-4132XG15-30XX	132	840	215	1500	2101	517	3000	150	205		
P18SG3	P18S-4090XG05-10XX	90	1719	169	500	4298	452	1000	50	518	1.1168	705
	P18S-4110XG07-15XX	110	1401	203	750	3502	510	1500	75	356		
	P18S-4132XG10-20XX	132	1261	225	1000	3152	554	2000	100	291		
	P18S-4160XG15-30XX	160	1019	277	1500	2547	665	3000	150	194		
P18SG4	P18S-4110XG05-10XX	110	2101	199	500	5253	522	1000	50	538	1.4147	818
	P18S-4132XG07-15XX	132	1681	233	750	4202	577	1500	75	373		
	P18S-4160XG10-20XX	160	1528	274	1000	3820	669	2000	100	290		
	P18S-4200XG15-30XX	200	1273	325	1500	3183	775	3000	150	207		
P18SH1	P18S-4120XH05-10XX	120	2292	207	500	5730	572	1000	50	594	2.5809	976
	P18S-4160XH07-15XX	160	2037	269	750	5093	711	1500	75	408		
	P18S-4185XH10-20XX	185	1767	323	1000	4417	824	2000	100	297		
	P18S-4250XH15-22XX	250	1592	468	1500	3979	1172	2200	150	185		
P18SH2	P18S-4160XH05-10XX	160	3056	277	500	7640	763	1000	50	592	3.3598	1125
	P18S-4220XH07-15XX	220	2801	381	750	7003	1016	1500	75	396		
	P18S-4250XH10-20XX	250	2388	436	1000	5969	1116	2000	100	297		
	P18S-4315XH15-22XX	315	2006	556	1500	5014	1376	2200	150	198		
P18SH3	P18S-4200XH05-10XX	200	3820	368	500	9550	1016	1000	50	556	4.1383	1275
	P18S-4250XH07-15XX	250	3183	463	750	7958	1203	1500	75	371		
	P18S-4315XH10-20XX	315	3008	526	1000	7521	1351	2000	100	309		
	P18S-4355XH15-22XX	355	2260	672	1500	5650	1643	2200	150	185		

Frame Code	Motor Model	Rated Power kW	Rated Torque N·m	Rated Current A	Rated Speed r/min	Max. Torque N·m	Max. Current A	Max. Speed r/min	Rated Frequency Hz	Back EMF Constant V/kr/min	Rotational Inertia kg·m ²	Weight kg
P18SH4	P18S-4250XH05-10XX	250	4775	436	500	11938	1165	1000	50	588	5.5405	1548
	P18S-4355XH07-15XX	355	4520	580	750	11301	1522	1500	75	420		
	P18S-4400XH10-20XX	400	3820	822	1000	9550	2080	2000	100	252		
	P18S-4450XH15-22XX	450	2865	942	1500	7163	2292	2200	150	168		

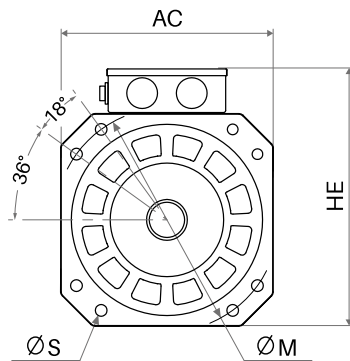
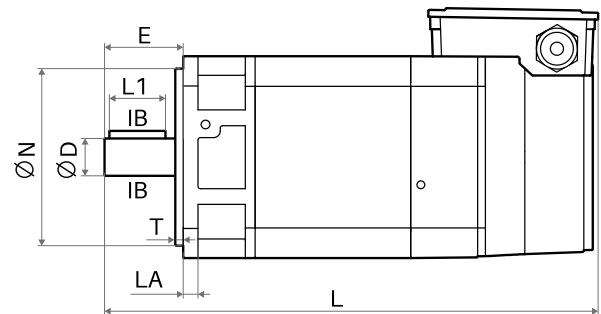
Torque Curves



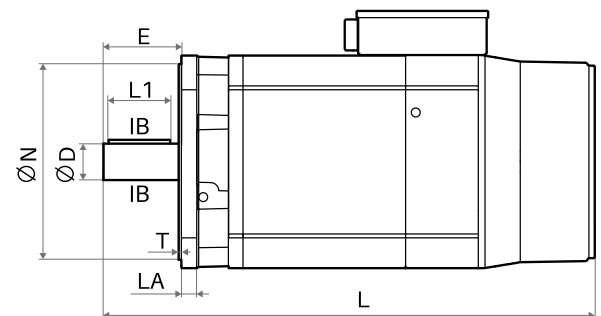
Overall Dimensions

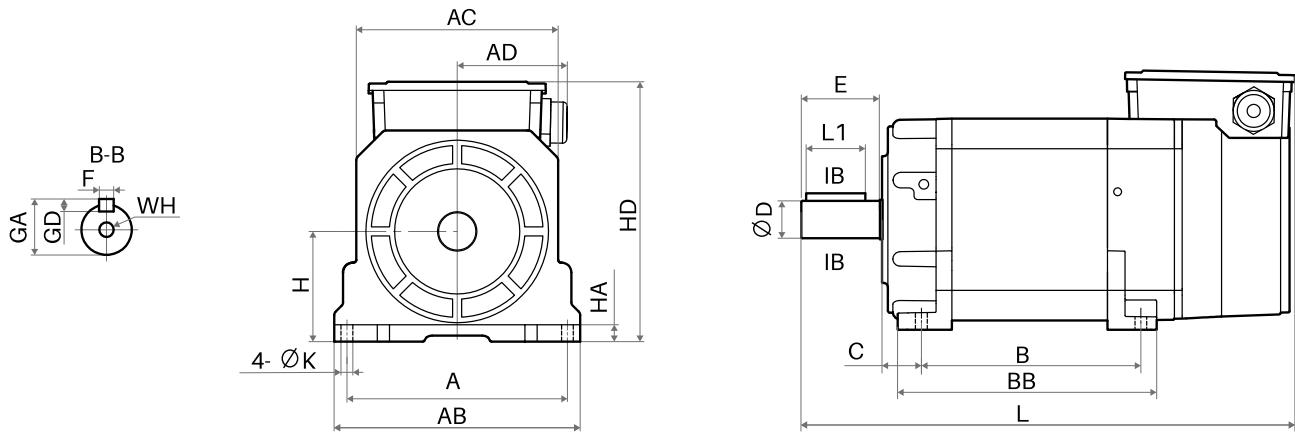


P18SB-P18SE



P18SF-P18SH





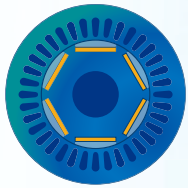
P18SB-P18SH

Unit: mm

Frame Code	A	AB	S	K	H	HD	HE	HA	AC	AD	D	E	C	T	B	BB	L	M	N	F	GD	GA	WH	LA	L1
P18SB1	224	250	4-Φ13	13	112	275	265	10.5	205	140	42	82	42	4	177	221	455	215	180	12	8	45	M12	14	56
P18SB2															212	256	490								
P18SB3															257	301	535								
P18SB4															312	356	590								
P18SB5															357	401	635								
P18SC2	280	315	4-Φ15	15	160	365	340	27.5	265	155	48	110	49	4	300	359	630	300	250	14	9	51.5	M12	18	90
P18SC3															340	399	670								
P18SC5															405	464	735								
P18SC6															465	524	795								
P18SE1	340	380	4-Φ19	17	180	410	390	21	320	155	60	140	55	5	380	466	800	350	300	18	11	64	M16	23	110
P18SE2															440	526	860								
P18SE3															515	601	935								
P18SE4															610	696	1030								
P18SF1	400	440	8-Φ19	19	225	505	470	30	380	155	65	140	45	5	380	459	825	400	350	18	11	69	M20	25	110
P18SF2															435	514	880								
P18SF3															535	614	980								
P18SF4															615	694	1060								
P18SG1	500	550	8-Φ19	23	280	620	580	35	480	170	80	170	45	5	395	468	910	500	450	22	14	85	M20	30	140
P18SG2															455	528	970								
P18SG3															535	608	1050								
P18SG4															645	718	1160								
P18SH1	620	680	8-Φ24	27	315	712	690	45	580	190	105	170	45	5	460	531	995	600	550	28	16	111	M24	38	140
P18SH2															560	631	1095								
P18SH3															660	731	1195								
P18SH4															840	911	1375								

HPM Series Low-speed High Torque Direct Drive Servo Motor

- ◆ Power range: 30~251kW
- ◆ Max. speed: 1000 r/min
- ◆ Encoder: built-in (Absolute encoder 17bit)
- ◆ Heat radiation: forced air cooling
- ◆ Duty type: continuous (S6)
- ◆ Installation structure: B5(V1 V3)
- ◆ IP rating: IP55 (IEC60034-5)
- ◆ Dielectric strength: AC1800V
- ◆ Class of insulation: Class F
- ◆ Class of vibration: A
- ◆ Ambient temperature: -15 to 45 °C
- ◆ Ambient humidity: <20%~90%RH (non-condensing)



Motor Internal Structure



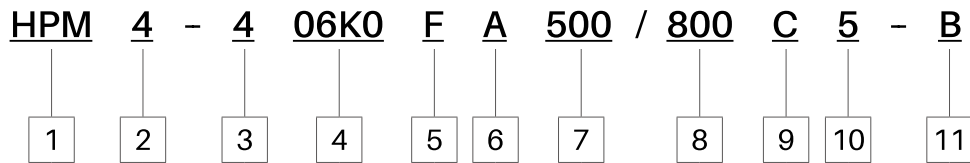
Product Features

- 1、 Strong overload: With IPM structural design, the overload capacity can reach 3 times, the low-speed and high torque characteristics can maximize the effect of curve modes such as punch pendulum.
- 2、 Electromagnetic design: Optimize electromagnetic design without the need for AFE (Active Front End Unit).
- 3、 Strong seismic resistance: Unique encoder seismic structural design, with a seismic rating of up to 5G.
- 4、 High precision: standard 17bit absolute value encoder, high precision.
- 5、 Torque range: 2500N. m~35000N. m, a total of 21 specifications, covering the needs of 45-2000T servo press machines.
- 6、 Holding brake device: a full series of holding brake design, avoiding complex installation problems of mechanical holding brakes.
- 7、 Maintenance free: The motor adopts an air-cooled design, completely avoiding the risk of condensation and scale in the water-cooled motor.

Industry Applications



Model Description



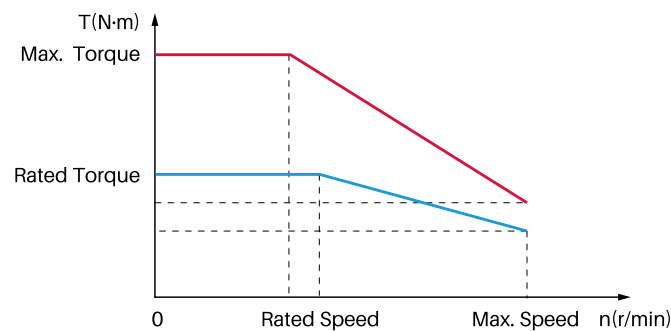
Code	Description	Instructions	Example Model
1	Product series	HPM: code of the motor series	HPM series synchronous servo motors
2	Frame Code	4: 480 6: 680 8: 880	4: 480
3	Voltage rating	4: 400V	400V
4	Code of torque	K: Thousands W: Tens of thousands (peak torque)	Peak torque: 6000 N-m
5	Motor cooling	F: Forced air cooling W: Water cooling N: Natural cooling	Forced air cooling
6	Encoder	B: None A: 23 bit absolute encoder	Absolute encoder
7	Rated speed	500: 500r/min	Rated speed: 500 rpm
8	Max. speed	800: 800r/min	Max. speed: 800 rpm
9	Shaft extension	G: Bare shaft J: With standard key slots C: Gear shaft	Gear shaft
10	Mode of installation	5: B5/flange mounted 35: B35/horizontal + flange mounted	B5 flange mounted
11	Brake	B: With brake	With brake

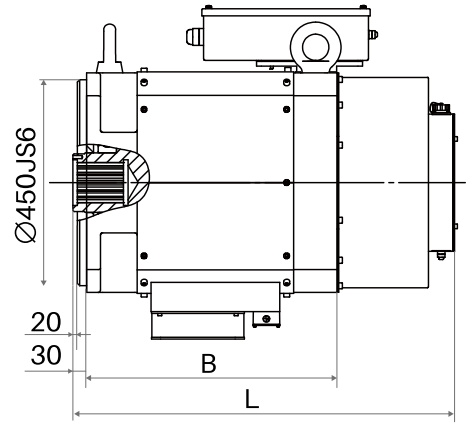
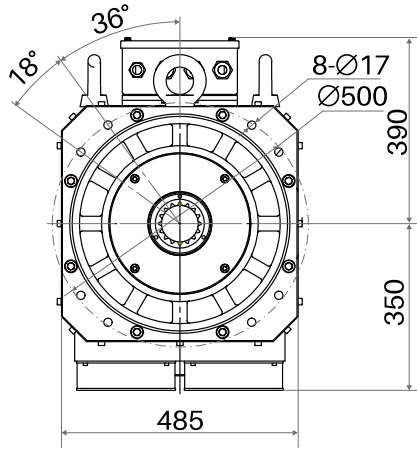
Overall Dimensions

Frame Code	Motor Model	Rated Power	Rated Torque	Rated Current	Rated Speed	Max. Speed	Max. Torque	Max. Current	Rotational Inertia	Brake power supply	maximum braking torque	Weight
		kW	N-m	A	r/min	r/min	N-m	A	kg-m ²	V	N-m	kg
HPM4 (480)	HPM4-402K5FA-300/500C5B	30	955	69.5	300	500	2500	225	0.8	380	1000	950
	HPM4-402K5FA-500/1000C5B	44	833	94.5	500	1000	2500	290	0.8	380	1000	950
	HPM4-403K5FA-300/500C5B	37	1178	84	300	500	3500	271	1.01	380	1000	1100
	HPM4-403K5FA-500/1000C5B	61	1167	137	500	1000	3500	440	1.01	380	1000	1100
	HPM4-404K5FA-300/500C5B	50	1592	111	300	500	4500	379	1.19	380	1000	1250
	HPM4-404K5FA-500/1000C5B	79	1500	165	500	1000	4500	543	1.19	380	1000	1250
	HPM4-406K0FA-300/500C5B	63	2000	145	300	500	6000	483	1.49	380	1000	1500
	HPM4-406K0FA-500/1000C5B	105	2000	246	500	1000	6000	817	1.49	380	1000	1500

Frame Code	Motor Model	Rated Power	Rated Torque	Rated Current	Rated Speed	Max. Speed	Max. Torque	Max. Current	Rotational Inertia	Brake power supply	maximum braking torque	Weight
		kW	N·m	A	r/min	r/min	N·m	A	kg·m ²	V	N·m	kg
HPM6 (680)	HPM6-407K5FA-200/400C5B-F4	52	2500	111	200	400	7500	307	6.8	0.55	1300	1780
	HPM6-407K5FA-300/500C5B-F4	79	2500	178	300	500	7500	536	6.8	0.55	1300	1780
	HPM6-407K5FA-600/800C5B	157	2500	306	600	800	7500	905	8.7	0.55	1300	1880
	HPM6-409K0FA-200/400C5B-F4	63	3000	124	200	400	9000	401	8.7	0.55	1300	1880
	HPM6-409K0FA-300/500C5B-F4	94	3000	196	300	500	9000	600	8.7	0.55	1300	1880
	HPM6-409K0FA-600/800C5B	188	3000	358	600	800	9000	1040	10.1	0.55	1300	2100
	HPM6-412K0FA-200/400C5B-F4	84	4000	168	200	400	12000	559	10.1	0.55	1300	2100
	HPM6-412K0FA-300/500C5B-F4	126	4000	251	300	500	12000	810	10.1	0.55	1300	2100
	HPM6-412K0FA-600/800C5B	251	4000	487	600	800	12000	1420	13.8	0.55	1300	2500
	HPM6-415K0FA-150/300C5B-F4	79	5000	175	150	300	15000	525	13.8	0.55	1300	2500
	HPM6-415K0FA-200/400C5B-F4	105	5000	228	200	400	15000	682	13.8	0.55	1300	2500
HPM8 (880)	HPM8-418K0FA-150/300C5B	94	6000	200	150	300	18000	585	33.8	0.55	2000	3500
	HPM8-418K0FA-200/400C5B	125	6000	265	200	400	18000	800	33.8	0.55	2000	3500
	HPM8-418K0FA-300/500C5B	188	6000	343	300	500	18000	1088	33.8	0.55	2000	3500
	HPM8-422K0FA-150/300C5B	115	7300	251	150	300	22000	747	37.5	0.55	2000	3500
	HPM8-422K0FA-200/400C5B	153	7300	310	200	400	22000	960	37.5	0.55	2000	4000
	HPM8-422K0FA-300/500C5B	229	7300	502	300	500	22000	1510	37.5	0.55	2000	4000
	HPM8-424K0FA-150/300C5B	126	8000	275	150	300	24000	828	37.5	0.55	2000	4000
	HPM8-424K0FA-200/400C5B	168	8000	342	200	400	24000	1048	37.5	0.55	2000	4000
	HPM8-427K0FA-150/300C5B	141	9000	295	150	300	27000	860	49.5	0.55	3000	4476
	HPM8-427K0FA-200/400C5B	189	9000	388	200	400	27000	1200	49.5	0.55	3000	4476
	HPM8-435K0FA-150/300C5B	184	11740	417	150	300	35000	1265	59.1	0.55	3000	5000
	HPM8-435K0FA-200/400C5B	246	11740	500	200	400	35000	1500	59.1	0.55	3000	5000

Torque Curves

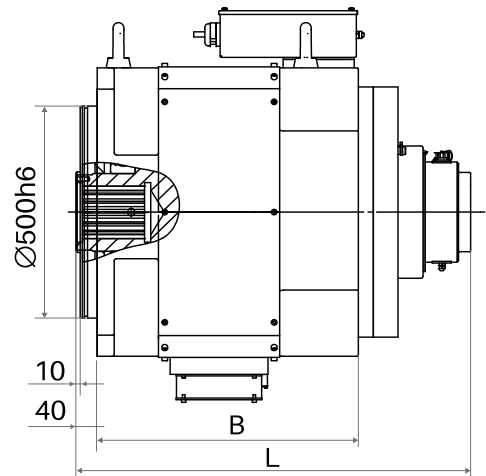
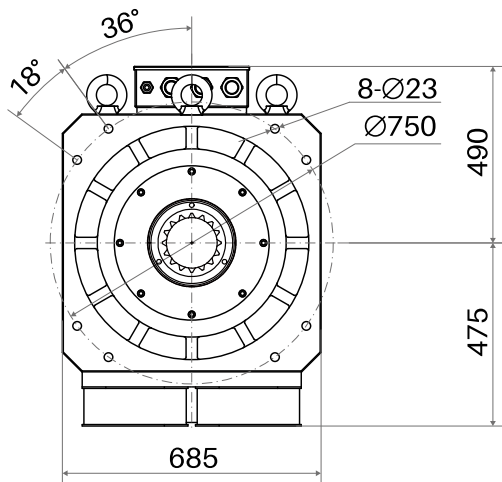




Frame Code: 480

Unit: mm

Frame Code	Motor Model	B	L
HPM4 (480)	HPM4-402K5FA-300/500C5B	544	830
	HPM4-402K5FA-500/1000C5B	544	830
	HPM4-403K5FA-300/500C5B	604	890
	HPM4-403K5FA-500/1000C5B	604	890
	HPM4-404K5FA-300/500C5B	684	970
	HPM4-404K5FA-500/1000C5B	684	970
	HPM4-406K0FA-300/500C5B	794	1080
	HPM4-406K0FA-500/1000C5B	794	1080



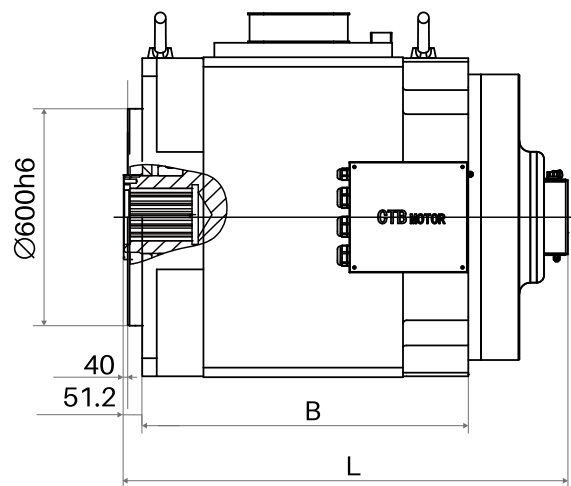
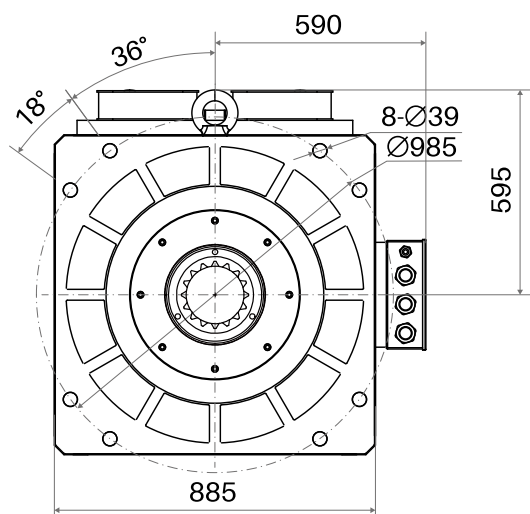
Frame Code: 680

Unit: mm

Frame Code	Motor Model	B	L
HPM6 (680)	HPM6-407K5FA-200/400C5B-F4	613.8	930
	HPM6-407K5FA-300/500C5B-F4	613.8	930

Unit: mm

Frame Code	Motor Model	B	L
HPM6 (680)	HPM6-407K5FA-600/800C5B	673.8	990
	HPM6-409K0FA-200/400C5B-F4	673.8	990
	HPM6-409K0FA-300/500C5B-F4	673.8	990
	HPM6-409K0FA-600/800C5B	733.8	1050
	HPM6-412K0FA-200/400C5B-F4	733.8	1050
	HPM6-412K0FA-300/500C5B-F4	733.8	1050
	HPM6-412K0FA-600/800C5B	853.8	1170
	HPM6-415K0FA-150/300C5B-F4	853.8	1170
	HPM6-415K0FA-200/400C5B-F4	853.8	1170



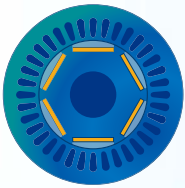
Frame Code: 880

Unit: mm

Frame Code	Motor Model	B	L
HPM8 (880)	HPM8-418K0FA-150/300C5B	728.8	1110
	HPM8-418K0FA-200/400C5B	728.8	1110
	HPM8-418K0FA-300/500C5B	728.8	1110
	HPM8-422K0FA-150/300C5B	778.8	1160
	HPM8-422K0FA-200/400C5B	778.8	1160
	HPM8-422K0FA-300/500C5B	778.8	1160
	HPM8-424K0FA-150/300C5B	778.8	1160
	HPM8-424K0FA-200/400C5B	778.8	1160
	HPM8-427K0FA-150/300C5B	898.8	1280
	HPM8-427K0FA-200/400C5B	898.8	1280
	HPM8-435K0FA-150/300C5B	998.8	1380
	HPM8-435K0FA-200/400C5B	998.8	1380

PWM Series High Seismic Permanent Magnet Synchronous Servo Motor

- ◆ Power range: 45~280kW
- ◆ Duty type: S1
- ◆ Center height: 280, 315
- ◆ Cooling: IC418
- ◆ Speed: 600rpm~2000rpm
- ◆ Encoder: built-in(rotary transformer/high precision magnetic encoder)
- ◆ Installation structure: B3(V5 V6)/B5(V1 V3)
- ◆ IP rating: IP54
- ◆ Class of insulation: Class F
- ◆ Class of vibration: A
- ◆ Ambient temperature: -15 to 45 °C
- ◆ Ambient humidity: <20%~90%RH (non-condensing)



Motor Internal Structure



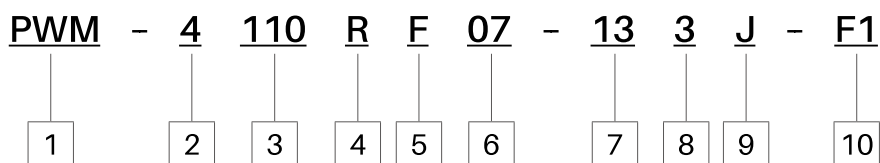
Product Features

- 1、 Strong vibration resistance: Motor base is welded with steel plates, and the end cover is made of cast steel parts. The shaft diameter is increased and the material is quenched and tempered with 42CrMo. Independent anti vibration fan for heat dissipation.
- 2、 Special design: C-shaped lifting hole at the shaft end. 3 anchor installation holes with enlarged aperture; Install lifting rings on both sides of the base. 315 and 355 frames adopt double key slots.
- 3、 Strong versatility: Reduce the size by 1-2 machine bases compared to conventional motors, which can be directly replaced.
- 4、 Superior performance: Adopting an embedded structural design. Unique slot fit of stator and rotor ensures less pulsation, low noise, low vibration.
- 5、 High reliability: reduced current. Temperature rise decreases. Improving motor life
Accurate control: effectively preventing deceleration overshoot and reducing damage to the belt/reducer.
Good consistency of itinerary. Good product consistency. Energy accuracy can reach within 0.5%.
- 6、 Significant advantages: smaller moment of inertia. Higher starting torque. Wider weak magnetic region. Wider speed regulation zone. Less speed fluctuation. Power density and torque density increased by 30% compared to conventional motors.
- 7、 Energy saving and efficient: using high-efficiency rare earth permanent magnet materials, the motor efficiency reaches IE4 or above.

Industry Applications



Model Description (Take 110 kW, 750 rpm motor for example)



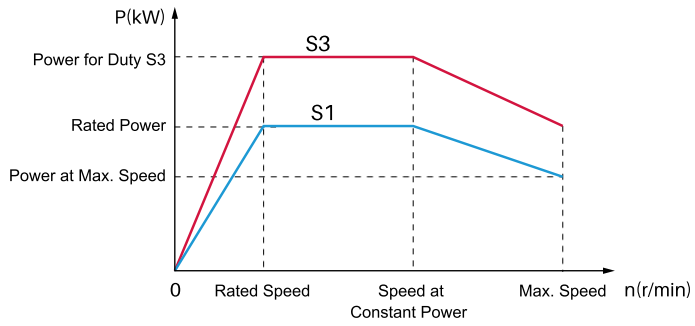
Code	Description	Instructions	Example Model
1	Product series	PWM: code of the motor series	PWM series AC permanent magnet synchronous servo motor
2	Voltage rating	4: 400V	400V
3	Power code	See 'Standard Specifications'	110KW
4	Encoder	Code Type of Encoder B None R Rotating transformer S Sine cosine encoder	Rotating transformer
5	Frame code	Code Size mm F 280 G 315	Frame code 280
6	Basic speed	Code Speed (rpm) Code Speed (rpm) 06 600r/min 15 1500r/min 07 750r/min 18 1800r/min	Basic speed:750r/min
7	Speed at constant power	10 1000r/min 20 2000r/min 13 1300r/min	Speed at constant power:1300r/min
8	Mode of installation	3: B3 Horizontal	B3 Horizontal
9	Shaft extension	G: Bare shaft J: Splined shaft	Bare shaft
10	Code of nonstandard motor part	F1: Shaft extension F4: Stator F2: Flange F5: Fan F3: Feet F6: Junction box F7: Encoder	Nonstandard shaft extension

Electrical Specifications

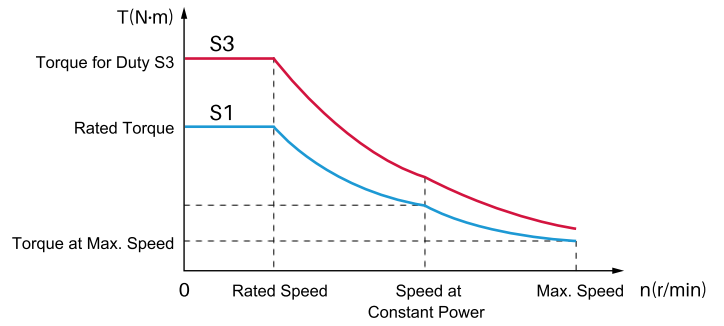
Frame Code	Motor Model	Rated Power	Rated Torque	Max. Torque	Rated Current	Max. Current	Rated Frequency	Rated Speed	Max. Speed	Back EMF Constant	Rotational Inertia	Weight
		kW	N-m	N-m	A	A	HZ	r/min	r/min	V/kr/min	kg-m ²	kg
PWMF	PWM-4045XF06-10XX	45	716	2149	84	296	60	600	1000	436	1.25	950
	PWM-4055XF07-13XX	55	700	2101	102	357	75	750	1300	354		
	PWM-4075XF10-18XX	75	716	2149	142	476	100	1000	1800	257		
	PWM-4090XF15-20XX	90	573	1719	166	505	150	1500	2000	184		

Frame Code	Motor Model	Rated Power	Rated Torque	Max. Torque	Rated Current	Max. Current	Rated Frequency	Rated Speed	Max. Speed	Back EMF Constant	Rotational Inertia	Weight
		kW	N·m	N·m	A	A	HZ	r/min	r/min	V/kr/min	kg·m ²	kg
PWWF	PWM-4055XF06-10XX	55	875	2626	100	244	60	600	1000	454	1.68	1055
	PWM-4075XF07-13XX	75	955	2865	142	474	75	750	1300	343		
	PWM-4090XF10-18XX	90	860	2579	206	575	100	1000	1800	215		
	PWM-4110XF15-20XX	110	700	2101	230	622	1500	1500	2000	162		
	PWM-4075XF06-10XX	75	1194	3581	142	473	60	600	1000	432	2.06	1160
	PWM-4090XF07-13XX	90	1146	3438	162	569	75	750	1300	364		
	PWM-4110XF10-18XX	110	1051	3152	241	668	100	1000	1800	227		
	PWM-4132XF15-20XX	132	840	2521	284	760	150	1500	2000	159		
	PWM-4090XF06-10XX	90	1433	4298	168	575	60	600	1000	437	2.43	1265
	PWM-4110XF07-13XX	110	1401	4202	203	678	75	750	1300	355		
	PWM-4132XF10-18XX	132	1261	3782	303	841	100	1000	1800	215		
	PWM-4160XF15-20XX	160	1019	3056	337	903	150	1500	2000	161		
PWWG	PWM-4110XG06-10XX	110	1751	5253	189	608	60	600	1000	412	2.09	1150
	PWM-4132XG07-13XX	132	1681	5043	231	734	75	750	1300	333		
	PWM-4185XG10-18XX	185	1767	5301	334	1078	100	1000	1800	255		
	PWM-4200XG15-20XX	200	1273	3819	328	977	150	1500	2000	178		
	PWM-4132XG06-10XX	132	2101	6303	219	704	60	600	1000	426	2.46	1390
	PWM-4160XG07-13XX	160	2037	6111	284	902	75	750	1300	331		
	PWM-4200XG10-18XX	200	1910	5730	343	1069	100	1000	1800	263		
	PWM-4220XG15-20XX	220	1401	4203	361	1053	150	1500	2000	171		
	PWM-4185XG06-10XX	185	2945	8835	311	1026	60	600	1000	406	3.23	1830
	PWM-4200XG07-13XX	200	2547	7641	348	1088	75	750	1300	342		
	PWM-4250XG10-18XX	250	2388	7164	458	1408	100	1000	1800	249		
	PWM-4280XG15-20XX	280	1782	5346	442	1273	150	1500	2000	161		

Power Torque Curves

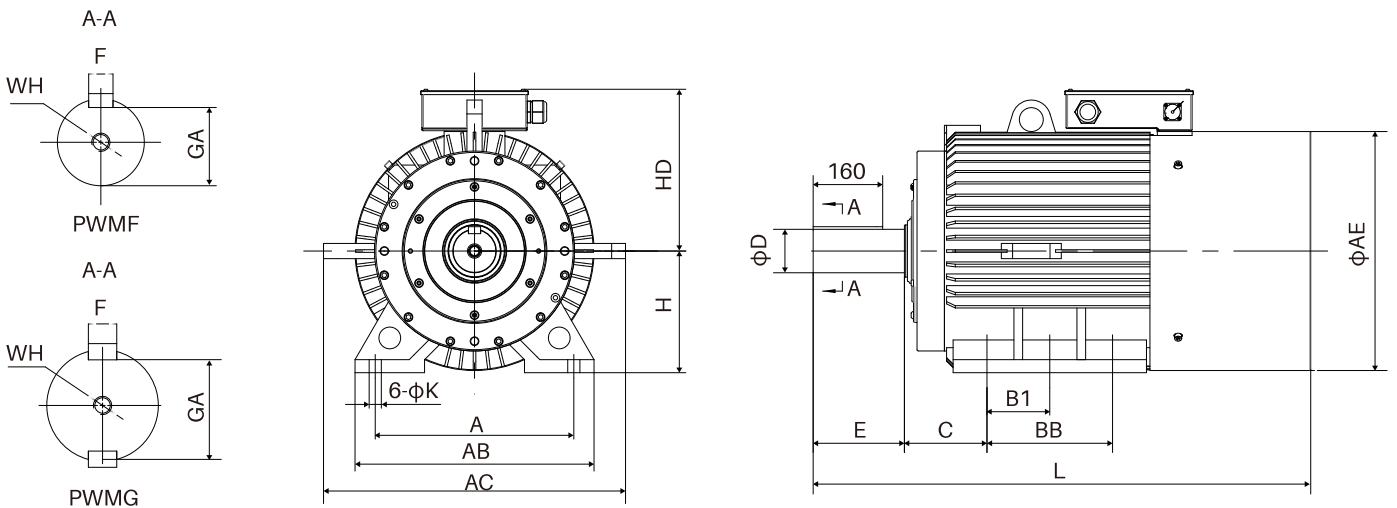


PWMF



PWMG

Overall Dimensions



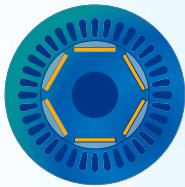
Unit: mm

Frame Code	A	AB	K	H	HD	AC	D	E	C	B1	BB	L	F	AE	GA	WH
PWMF1	457	550	28	280	390	695	100	210	190	144.5	289	1155	28	Ø550	90	M24
PWMF2										189.5	379	1245				
PWMF3										234.5	469	1335				
PWMF4										279.5	559	1425				
PWMG1	508	635	35	315	450	775	110	210	216	151.5	303	1265	28	Ø620	100	M24
PWMG2										171.5	343	1305				
PWMG3										226.5	453	1415				

PDM Series Direct Drive Motors for Screw Presses

PDM series built-in torque motors consist of a stator, and a permanent magnet rotor with hollow shaft. They are liquid cooled. The stator is fixed on the body, and the rotor connected to the rotary mechanism. It forms an integral direct drive unit when combined with such feedback elements as encoder and properly matched with a drive. The design of a built-in rotor effectively prevents vibration.

- ◆ Torque range: $4050\text{N}\cdot\text{m} \sim 27000\text{N}\cdot\text{m}$
- ◆ Max. speed: 200 rpm
- ◆ Encoder: optional (rotary transformer/high precision magnetic encoder)
- ◆ Heat radiation: water cooling
- ◆ Duty type: continuous (S1)
- ◆ IP rating: IP23 (split structure)
- ◆ Dielectric strength: 1,800 VAC
- ◆ Class of insulation: Class F
- ◆ Ambient temperature: -15 to $45\text{ }^{\circ}\text{C}$
- ◆ Ambient humidity: $<20\% \sim 90\% \text{RH}$ (non-condensing)



Motor Internal Structure



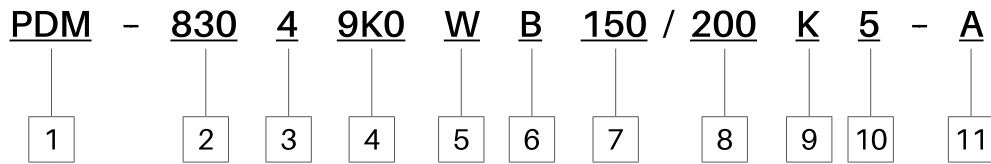
Product Features

- 1、 High torque, high drive rigidity.
- 2、 No gear clearance, no wear, long life, and stable accuracy.
- 3、 Built-in design for more compact equipment structure.
- 4、 Hollow shaft of rotor with a big bore facilitates installation and commissioning.
- 5、 Small size, light weight.

Industry Applications



Model Description

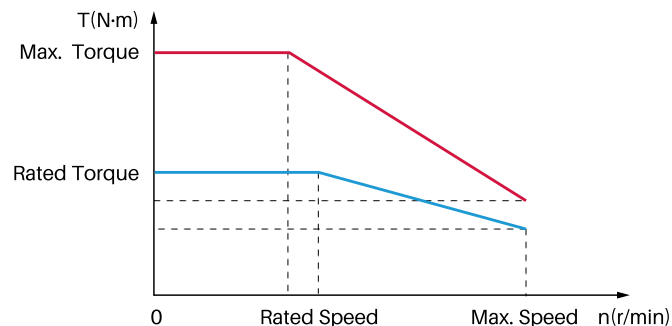


Code	Description	Instructions	Example Model
1	Product series	PDM: code of the motor series	PDM series motor
2	Frame code	830, 1,400	830 frame
3	Voltage rating	4: 400 V	400 V
4	Code of torque	K: Thousands W: Tens of thousands (peak torque)	Peak torque: 9,000 Nm
5	Motor cooling	W: Water cooling N: Natural cooling	Water cooling
6	Encoder	B: NONE R: Rotary transformer C: Magnetic encoder	NONE
7	Rated speed	Actual motor speed, in: rpm	Rated speed: 150 rpm
8	Max. speed	Actual motor speed, in: rpm	Max. speed: 200 rpm
9	Shaft extension	K: Hollow shaft	Hollow shaft
10	Mode of installation	5: B5/flange mounted	B5/flange mounted
11	Smart card	A: With smart card (not for motors without smart card)	With smart card

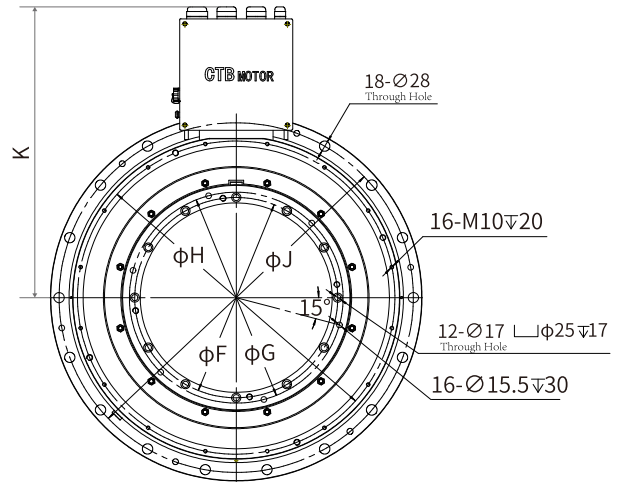
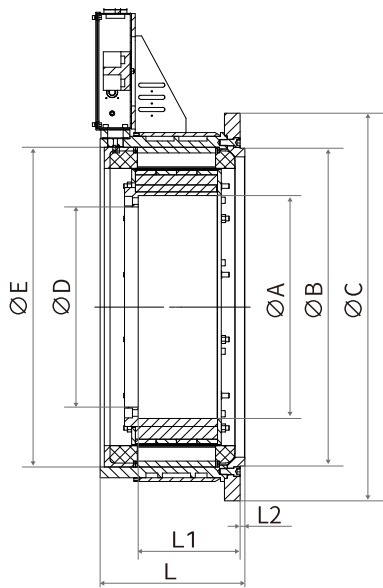
Electrical Specifications

Frame Code	Motor Model	Rated Power	Rated Torque	Rated Current	Rated Frequency	Rated Speed	Max. Torque	Max. Current	Max. Speed	Back EMF Constant	Rotational Inertia	Weight
		kW	N·m	A	Hz	r/min	N·m	A	r/min	V/kr/min	kg·m ²	kg
PDM830	PDM830-44K0WB-150/200K5A	42.4	2700	97	80	150	4050	165	200	280	16.6	609.5
	PDM830-45K2WB-150/200K5A	55	3500	107	80	150	5250	182	200	329	20.15	663.7
	PDM830-49K0WB-150/200K5A	90	5700	190	80	150	9000	380	200	306	27.1	815
PDM1400	PDM1400-413K5WB-140/200K5A	132	9000	262	74.7	140	13500	445	200	322	125	1877.7
	PDM1400-426K0WB-150/200K5A	272	17320	511	80	150	25980	845	200	335	212	2520.7

Torque Curves

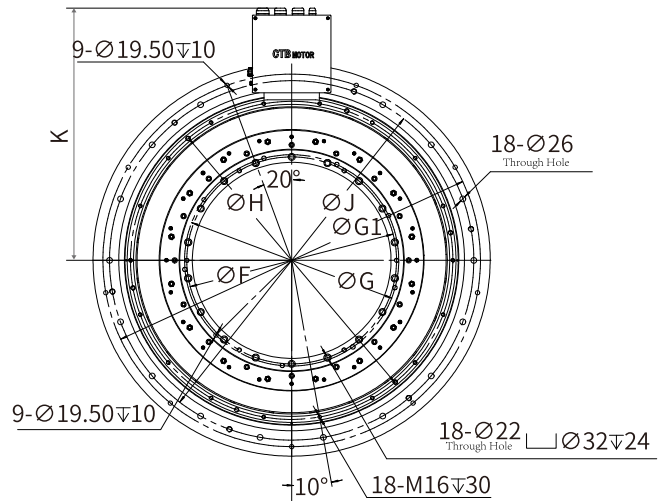
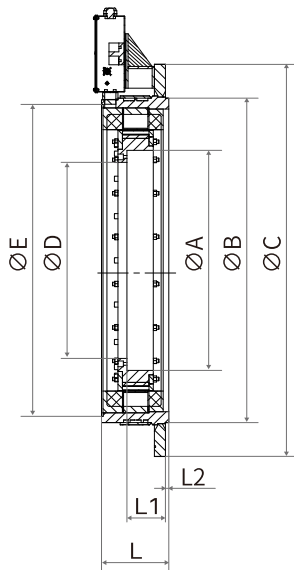


Overall Dimensions



Unit: mm

Motor Model	A	B	C	D	E	F	G	H	J	K	L	L1	L2	G1
PDM830-44K0WB-150/200K5A	579	825	1006	520	830	550	579	860	960	800	280	171	12	/
PDM830-45K2WB-150/200K5A	579	825	1006	520	830	550	579	860	960	800	305.5	196	12	/
PDM830-49K0WB-150/200K5A	579	825	1006	520	830	550	579	860	960	800	370.5	261	12	/



Unit: mm

Motor Model	A	B	C	D	E	F	G	H	J	K	L	L1	L2	G1
PDM1400-413K5WB-140/200K5A	1010	1490	1800	900	1432	950	970	1460	1650	1160	305	164	15	1710
PDM1400-426K0WB-150/200K5A	1010	1490	1800	900	1432	950	970	1460	1650	1160	425	284	15	1710

YH Series AC Asynchronous Servo Motors for Slides

- ◆ Power range: 0.7-5.5 kW
- ◆ Pole number: 8
- ◆ Max. speed: 3,000 rpm
- ◆ Encoder: built-in (rotary transformer)
- ◆ Installation structure: B5
- ◆ IP rating: IP55 (IEC 60034-5)
- ◆ Noise: ≤ 70 dB(A)
- ◆ Dielectric strength: 1,800 VAC
- ◆ Class of insulation: Class F
- ◆ Class of vibration: A
- ◆ Ambient temperature: -15 to 45 °C
- ◆ Ambient humidity: <20%~90%RH (non-condensing)



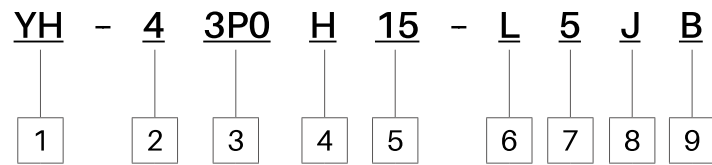
Product Features

- 1、 Reduced Mounting Space
- 2、 Easy Maintenance
- 3、 Pneumatic Brake Design with High Stability and Reliability

Industry Applications



Model Description

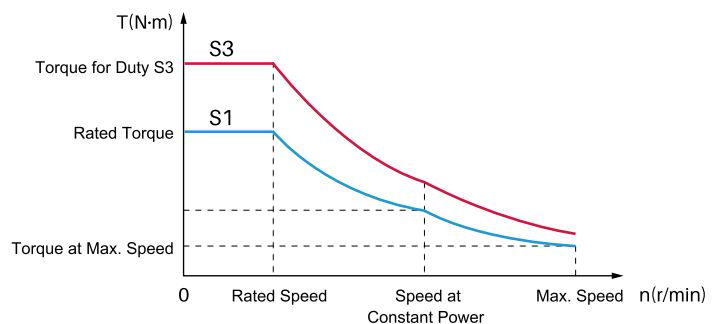
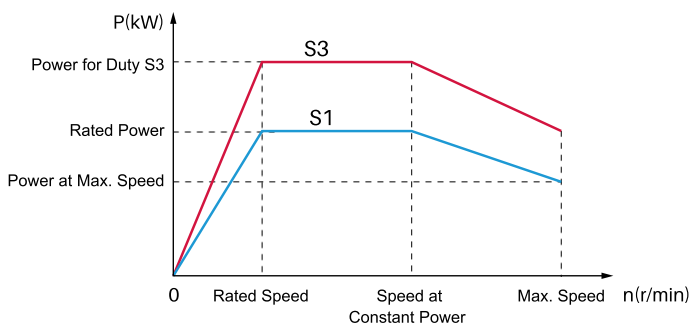


Code	Description	Instructions	Example Model
1	Product series	YH: code of the motor series	YH Series AC Asynchronous Servo Motors for Slides
2	Voltage rating	2: 200V 4: 400V	400V
3	Power code	See 'Standard Specifications'.	3KW
4	Motor type	H: Slider motor	Slider motor
5	Rated speed	15: 1500/min	1500/min
6	Max. speed	L: 1500/min	1500/min
7	Mode of installation	5: Flange mounted	Flange mounted
8	Shaft extension	G: Bare shaft J: With standard key slots	Gear shaft
9	Brake	B: With brake	With brake

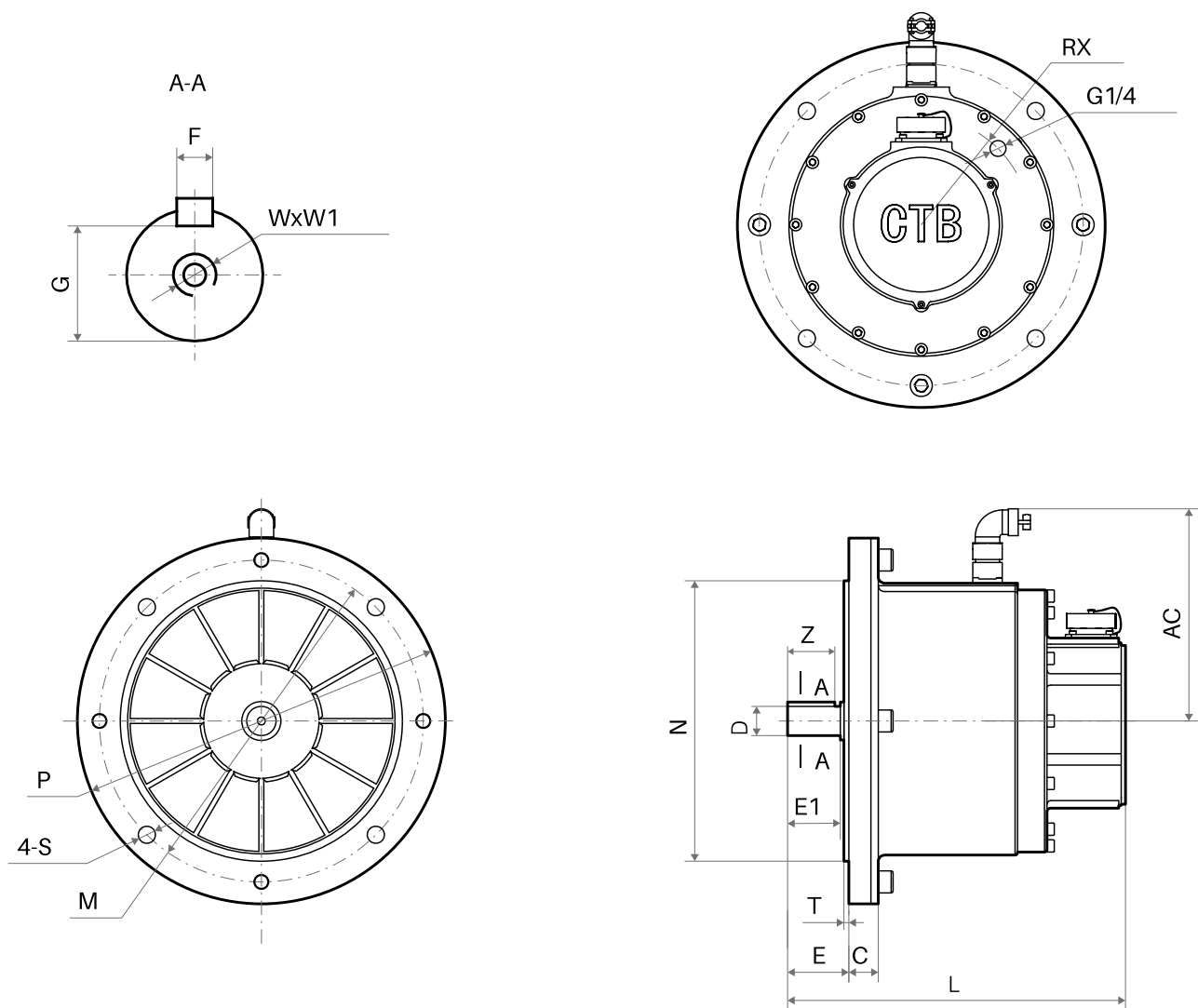
Electrical Specifications

Frame Code	Motor Model	Rated Power	Power for Duty S3	Rated Torque	Torque for Duty S3	Rated Current	Rated Frequency	Rated Speed	Max. Speed at Constant Power	Brake pressure	Braking torque	Weight
		kW	kW	N·m	N·m	A	Hz	r/min	N·m	MPa	N·m	kg
YHA	YH-40P7H15-L5XB	0.75	1.1	4.8	7	2.1	105	1500	2.4	> 0.55	7.2	28
YHB	YH-41P5H15-L5XB	1.5	2.2	9.6	14	4.0	103.1	1500	4.8	> 0.55	14.3	45
YHC1	YH-43P0H15-L5XB	3.0	4	19.1	25.5	7.1	102.8	1500	9.6	> 0.55	28.7	70
YHC2	YH-43P7H15-L5XB	3.7	5.5	23.6	35	8.5	102.6	1500	11.8	> 0.55	35.4	72
YHC3	YH-45P5H15-L5XB	5.5	7.5	35	47.8	12.6	102.1	1500	17.5	> 0.55	52.5	82

Power Torque Curves



Overall Dimensions



Unit: mm

Motor Model	C	D	E	E1	F	G	M	L	N	P	S	T	W	W1	Z	RX	AC
YH-40P7H15-L5XB	21	22	36	30	6	18.5	215	270	180	236	14	4	6	18	28	77	160
YH-41P5H15-L5XB	24	24	50	50	7	20	264	280	230	300	14	4	8	18	38.5	88.5	182
YH-43P0H15-L5XB	25	28	56	50	8	24	320	300	260	350	17	4	10	18	40	106	215
YH-43P7H15-L5XB	25	28	56	50	8	24	320	300	260	350	17	4	10	18	40	106	215
YH-45P5H15-L5XB	25	28	56	50	8	24	320	340	260	350	17	4	10	18	40	106	215

STRIVE FOR CONTINUAL SELF-RENEWAL KEEP PACE WITH THE WORLD



Professional manufacturer of mechatronics products



Address: No. 9, 6th Yunxi Road, Miyun Economic Development
Zone, Beijing (101500)
Tel: 010-69076533
Fax: 010-69076577
<http://www.ctb.com.cn>
24 h national toll-free service line: 400-888-9055



WeChat



TikTok

Due to constant technological improvements, texts, drawings and technical data in the manual may be changed without prior notice.