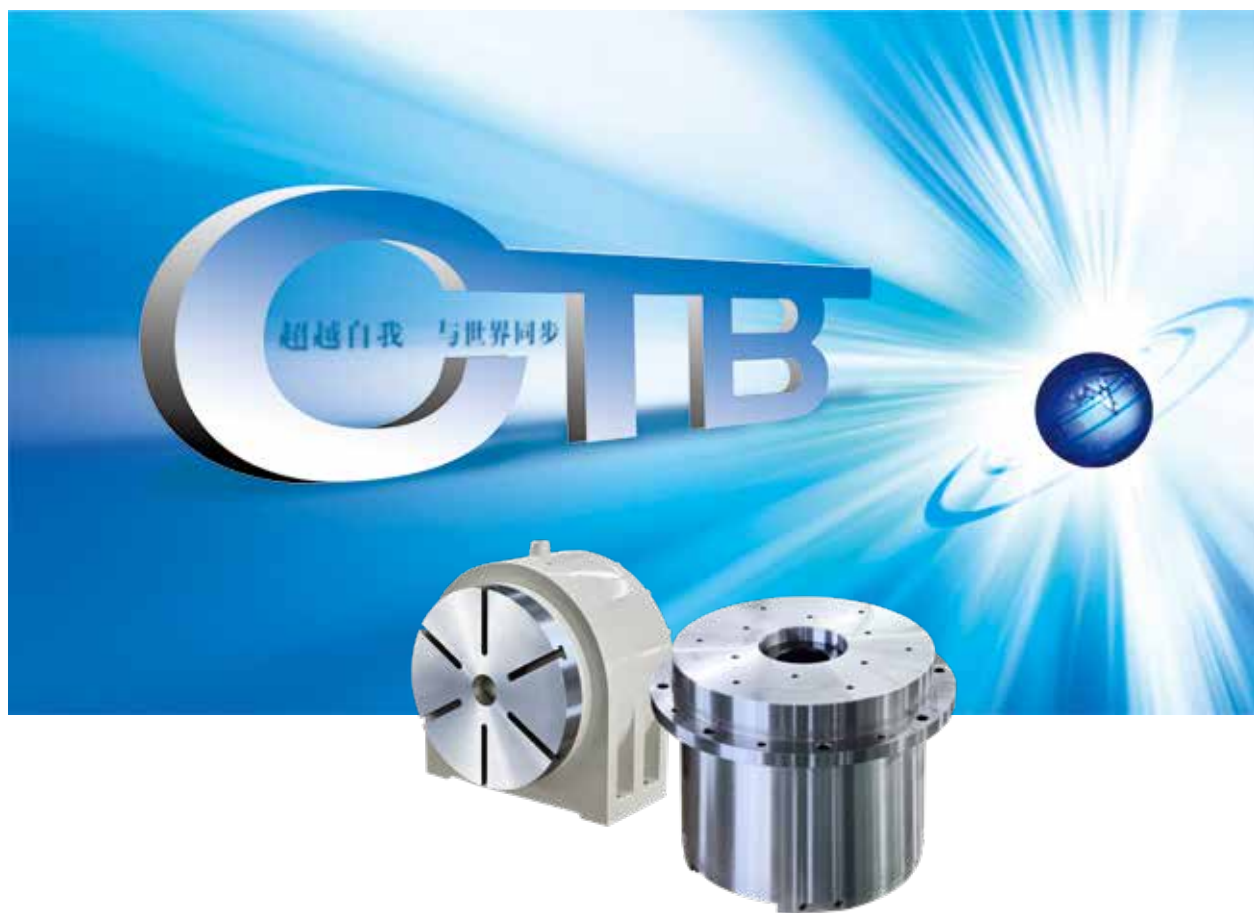




# Rotary Table with Direct Drive Selection Manual



## Rotary Table with Direct Drive



### FEATURE

1. It is driven by a torque motor, with small size and high torque.
2. Adopting YRT turntable bearings, high rigidity and high precision.
3. Adopting a high-precision angle encoder, the highest achievable positioning accuracy is less than  $\pm 2.5$ , and the repeatability accuracy is  $\pm 1.5$ .
4. Equipped with a built-in locking mechanism, it can achieve high torque locking without changing the accuracy during locking.
5. The workpiece axis series turntable is equipped with a built-in tightening and loosening device, which can achieve multiple modes of pneumatic and hydraulic to meet the needs of different users and occasions. It also supports multiple brands of fixtures, such as GDS, SCHUNK, SCHAUBLIN, etc.

### INDUSTRIAL APPLICATIONS



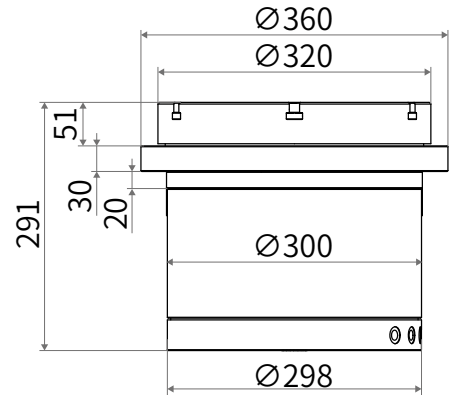
## MODEL : BCET-D032D1-4172T-100RAE



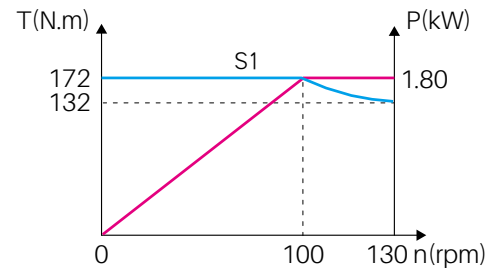
### ◆ Electrical Specifications

Rated Power kW	Rated Current A	Rated Torque N·m
1.8	6.1	172
Rated Speed rpm	Max. Speed rpm	Type of motor
100	130	Synchronous
Pole No.	Lubrication	Type of cooling
40	Grease	Liquid cooling
Table diameter mm	Table runout mm	Locking torque N.m
320	0.01	400
Positioning accuracy "	Repeatability "	Weight kg
±5	±2.5	93

### ◆ Overall Dimensions



### ◆ Power Torque Curves



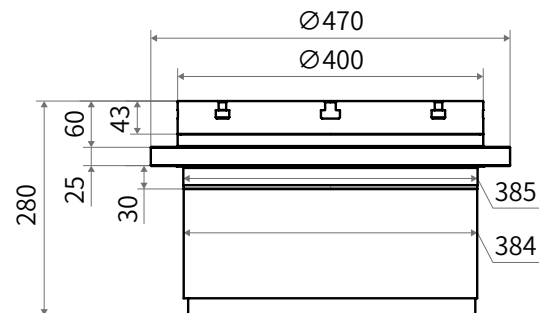
## MODEL : BCET-D040-4410T-80



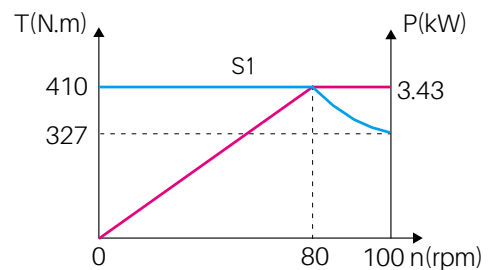
### ◆ Electrical Specifications

Rated Power kW	Rated Current A	Rated Torque N·m
3.4	14.5	410
Rated Speed rpm	Max. Speed rpm	Type of motor
80	100	Synchronous
Pole No.	Lubrication	Type of cooling
48	Grease	Liquid cooling
Table diameter mm	Table runout mm	Locking torque N.m
400	0.01	650
Positioning accuracy "	Repeatability "	Weight kg
±7.5/±5	±3.5/±2.5	200

### ◆ Overall Dimensions



### ◆ Power Torque Curves



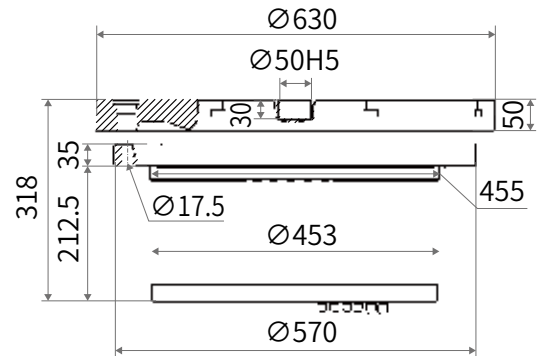
## MODEL: BCET-D063-4700T-50



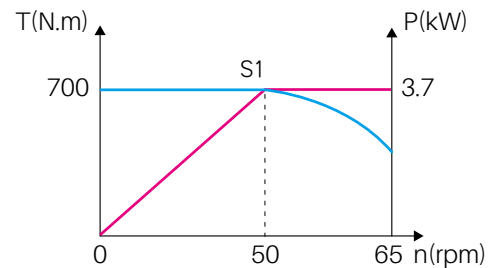
### ◆ Electrical Specifications

Rated Power kW	Rated Current A	Rated Torque N·m
3.7	13.5	700
Rated Speed rpm	Max. Speed rpm	Rated frequency Hz
50	65	26.7
Rated voltage V	Phase resistance (20°C) Ω	Pole No.
305	4.13	64
Inductance of d-axis mH	Inductance of q-axis mH	Torque constant N·m/A
30	30	52
Voltage constant V/Krpm	Moment of Inertia kg m <sup>2</sup>	Weight kg
3600	5.7	360

### ◆ Overall Dimensions



### ◆ Power Torque Curves



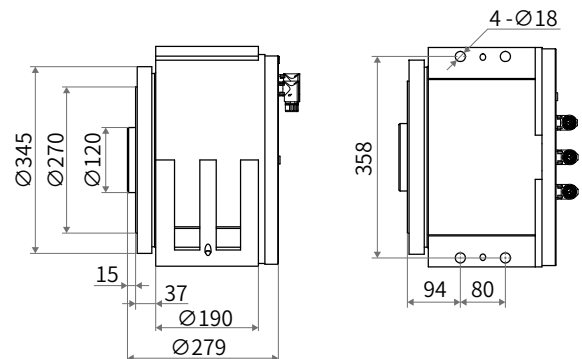
## MODEL: BCEB-H196C-4560T-80RAEI



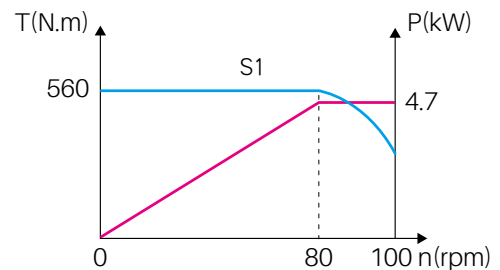
### ◆ Electrical Specifications

Rated Power kW	Rated Current A	Rated Torque N·m
4.7	17	560
Rated Speed rpm	Max. Speed rpm	Rated frequency Hz
80	100	32
Rated voltage V	Phase resistance (20°C) Ω	Pole No.
309	2.966	48
Inductance of d-axis mH	Inductance of q-axis mH	Torque constant N·m/A
29.12	31.62	32.9
Voltage constant V/Krpm	Moment of Inertia kg m <sup>2</sup>	Weight kg
2300	0.3	198

### ◆ Overall Dimensions



### ◆ Power Torque Curves



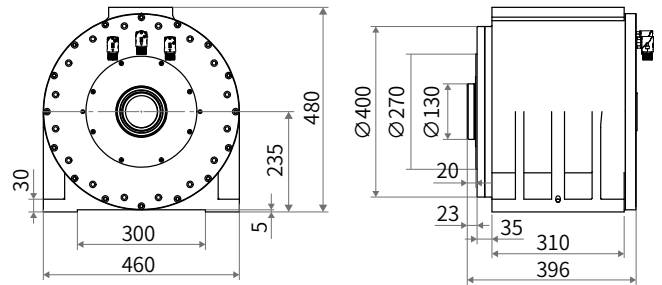
## MODEL : BCEB-H235B1-41200T-80RAE



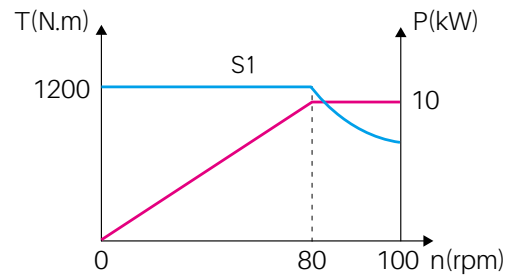
### ◆ Electrical Specifications

Rated Power kW	Rated Current A	Rated Torque N·m
10	31	1200
Rated Speed rpm	Max. Speed rpm	Rated frequency Hz
80	100	42.67
Rated voltage V	Phase resistance (20°C) Ω	Pole No.
284	1.136	64
Inductance of d-axis mH	Inductance of q-axis mH	Torque constant N·m/A
7.758	8.997	38.7
Voltage constant V/Krpm	Moment of Inertia kg m <sup>2</sup>	Weight kg
2512	1.0	286

### ◆ Overall Dimensions



### ◆ Power Torque Curves



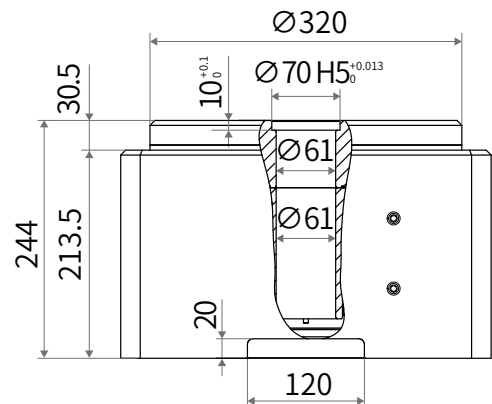
## MODEL : BCET-D032C3-4560T-25RAE



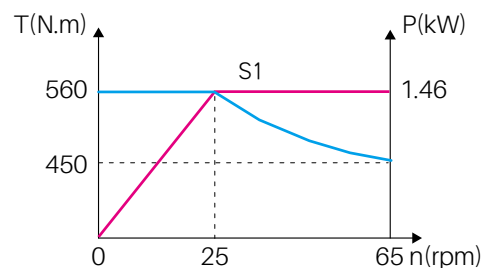
### ◆ Electrical Specifications

Rated Power kW	Rated Current A	Rated Torque N·m
1.46	13.3	560
Rated Speed rpm	Max. Speed rpm	Rated frequency Hz
25	65	10
Rated voltage V	Phase resistance (20°C) Ω	Pole No.
200	5	48
Inductance of d-axis mH	Inductance of q-axis mH	Torque constant N·m/A
51.55	51.55	42.1
Voltage constant V/Krpm	Moment of Inertia kg m <sup>2</sup>	Weight kg
3200	0.3	188.5

### ◆ Overall Dimensions



### ◆ Power Torque Curves



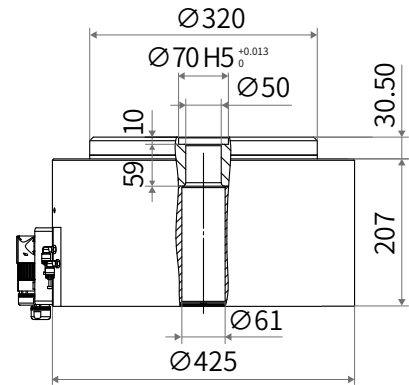
## MODEL: TC-D032C3



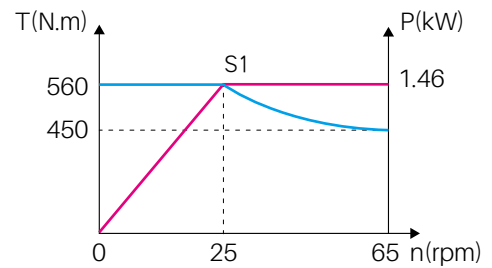
### ◆ Electrical Specifications

Rated Power kW	Rated Current A	Rated Torque N·m
1.46	13.3	560
Rated Speed rpm	Max. Speed rpm	Rated frequency Hz
25	65	10
Rated voltage V	Phase resistance (20°C) Ω	Pole No.
200	5	48
Inductance of d-axis mH	Inductance of q-axis mH	Torque constant N·m/A
51.55	51.55	42.1
Voltage constant V/Krpm	Moment of Inertia kg m <sup>2</sup>	Weight kg
3200	0.3	204.9

### ◆ Overall Dimensions



### ◆ Power Torque Curves

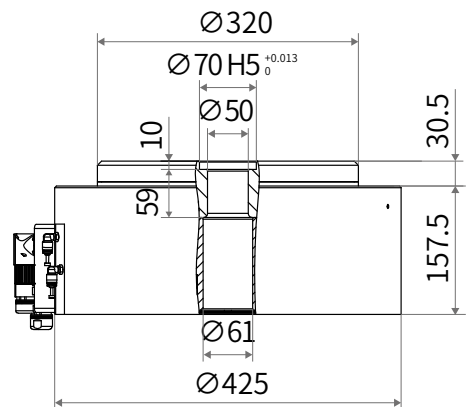


## MODEL: TC-D032D

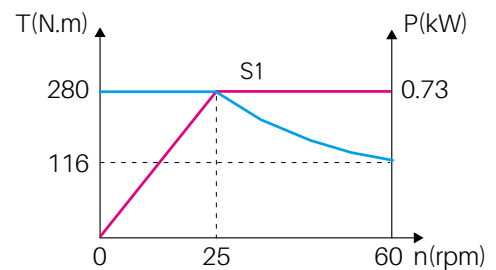


Rated Power kW	Rated Current A	Rated Torque N·m
0.73	5.6	280
Rated Speed rpm	Max. Speed rpm	Rated frequency Hz
25	60	10
Rated voltage V	Phase resistance (20°C) Ω	Pole No.
227	14.32	48
Inductance of d-axis mH	Inductance of q-axis mH	Torque constant N·m/A
104	120	62.9
Voltage constant V/Krpm	Moment of Inertia kg m <sup>2</sup>	Weight kg
3400	0.28	157.4

### ◆ Overall Dimensions



### ◆ Power Torque Curves



STRIVE FOR CONTINUAL SELF-RENEWAL KEEP PACE WITH THE WORLD



Professional manufacturer of mechatronics products



Address: No. 9, 6th Yunxi Road, Miyun Economic Development  
Zone, Beijing (101500)  
Tel: 010-69076533  
Fax: 010-69076577  
<http://www.ctb.com.cn>  
24 h national toll-free service line: 400-888-9055



WeChat



Tiktok

Due to constant technological improvements, texts, drawings and technical data in the manual may be changed without prior notice.