



# Motorized Turning Spindle Selection Manual



## Motorized Turning Spindle



### FEATURE

1. It is driven by a permanent magnet synchronous built-in motor, which has a small size and high power density.
2. The bearing adopts pre tensioning method mainly adopts positioning pre tensioning. Positioning pre tensioning can achieve high rigidity and high torque requirements.
3. Dynamically balanced to G1.
4. Little noise and thermal deformation
5. High dynamic rotational accuracy
6. Equipped with a built-in locking mechanism, it can achieve high torque locking without changing the accuracy during locking.

### INDUSTRIAL APPLICATIONS





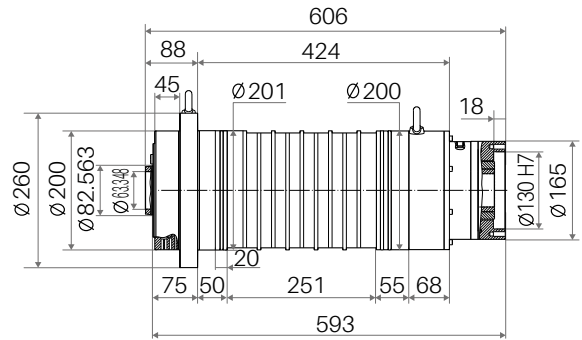
## MODEL : BCES-A205WSA-4015-2000/4500



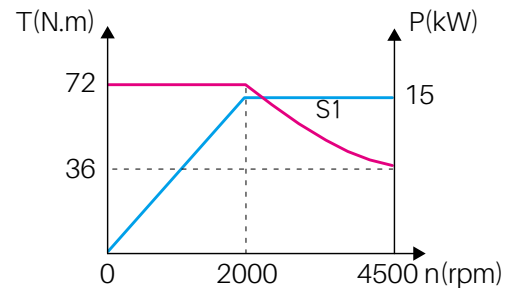
### ◆ Electrical Specifications

Rated Power kW	Rated Current A	Rated Torque N·m
15	35	72
Rated Speed rpm	Max. Speed rpm	Type of motor
2000	4500	Synchronous
Pole No.	Lubrication	Type of cooling
8	Grease	Liquid cooling
Chuck coupling	External cone accuracy mm	Through hole mm
A2-5	0.003	56
Brake	Positioning accuracy "	Weight kg
Optional	-	110

### ◆ Overall Dimensions



### ◆ Power Torque Curves



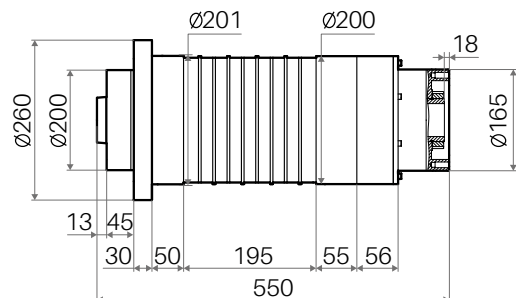
## MODEL : BCES-A205WS-4011-2500/5000



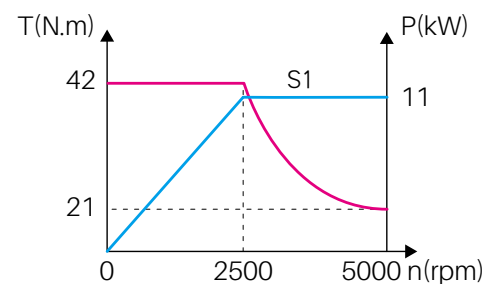
### ◆ Electrical Specifications

Rated Power kW	Rated Current A	Rated Torque N·m
11	21	42
Rated Speed rpm	Max. Speed rpm	Type of motor
2500	5000	Synchronous
Pole No.	Lubrication	Type of cooling
8	Grease	Liquid cooling
Chuck coupling	External cone accuracy mm	Through hole mm
A2-5	0.003	56
Brake	Positioning accuracy "	Weight kg
Optional	80/±7.5	93

### ◆ Overall Dimensions



### ◆ Power Torque Curves





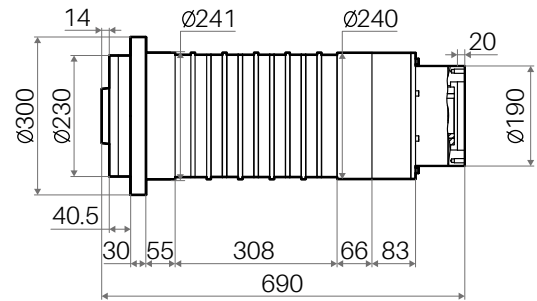
## MODEL : BCES-A206WS-4022-2000/4000



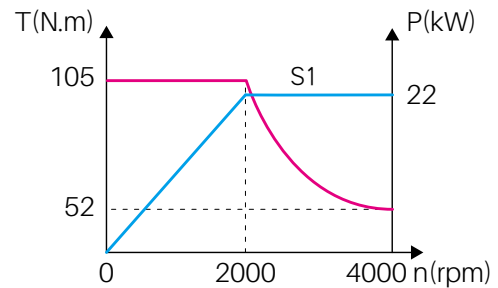
### ◆ Electrical Specifications

Rated Power kW	Rated Current A	Rated Torque N·m
22	43	105
Rated Speed rpm	Max. Speed rpm	Type of motor
2000	4000	Synchronous
Pole No.	Lubrication	Type of cooling
8	Grease	Liquid cooling
Chuck coupling	External cone accuracy mm	Through hole mm
A2-6	0.003	67
Brake	Positioning accuracy "	Weight kg
Optional	60/±7.5	174

### ◆ Overall Dimensions



### ◆ Power Torque Curves



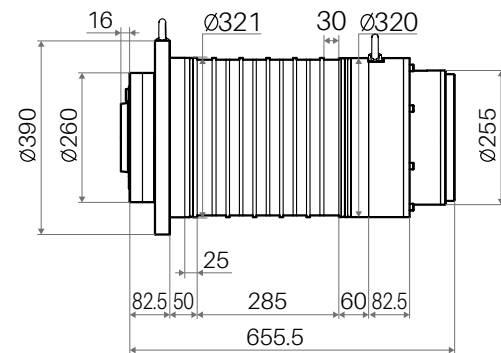
## MODEL : BCES-A208WS-4037-1250/3000



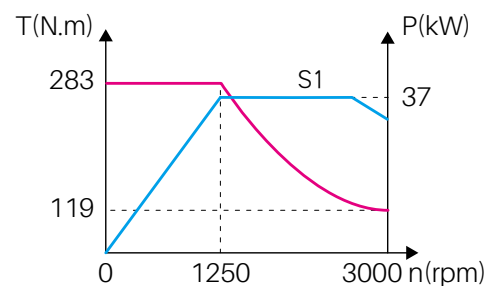
### ◆ Electrical Specifications

Rated Power kW	Rated Current A	Rated Torque N·m
37	82	283
Rated Speed rpm	Max. Speed rpm	Type of motor
1250	3000	Synchronous
Pole No.	Lubrication	Type of cooling
8	Grease	Liquid cooling
Chuck coupling	External cone accuracy mm	Through hole mm
A2-8	0.004	87
Brake	Positioning accuracy "	Weight kg
Optional	60/±7.5	283

### ◆ Overall Dimensions



### ◆ Power Torque Curves



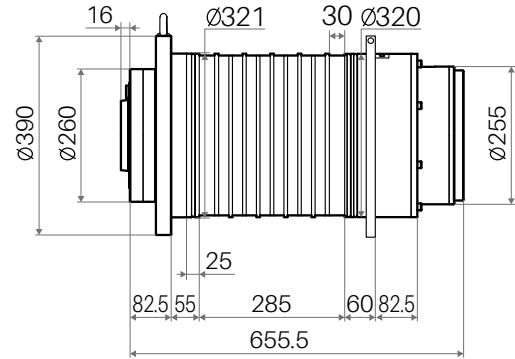
## MODEL: BCES-A208WSD-4045-1500/4000-A1(ER/RC)



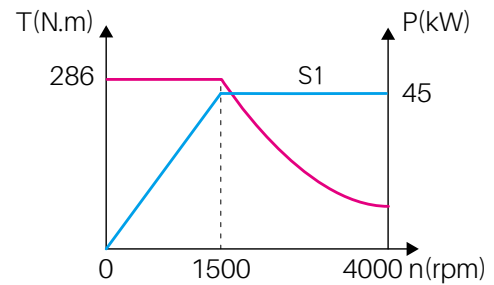
### ◆ Electrical Specifications

Rated Power kW	Rated Current A	Rated Torque N·m
45	93	287
Rated Speed rpm	Max. Speed rpm	Type of motor
1500	4000	Synchronous
Pole No.	Lubrication	Type of cooling
8	Grease	Liquid cooling
Chuck coupling	External cone accuracy mm	Through hole mm
A2-8	0.004	91
Brake	Positioning accuracy "	Weight kg
Optional	60/±7.5	286

### ◆ Overall Dimensions



### ◆ Power Torque Curves



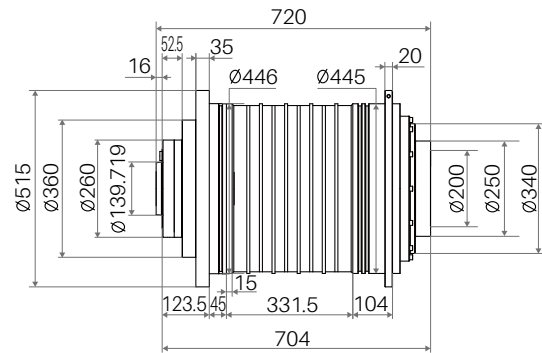
## MODEL: BCES-A208WB-4030-500/4000-ER(RC)



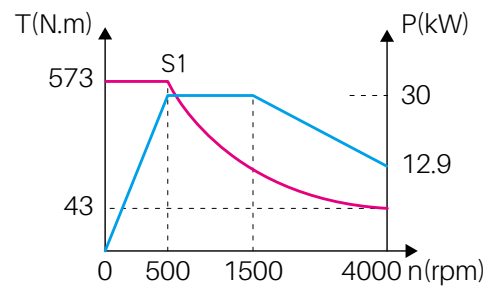
### ◆ Electrical Specifications

Rated Power kW	Rated Current A	Rated Torque N·m
30	69	573
Rated Speed rpm	Max. Speed rpm	Type of motor
500	4000	Asynchronous
Pole No.	Lubrication	Type of cooling
8	Grease	Liquid cooling
Chuck coupling	External cone accuracy mm	Through hole mm
A2-8	0.004	87
Brake	Positioning accuracy "	Weight kg
Optional	60/±7.5	634

### ◆ Overall Dimensions



### ◆ Power Torque Curves



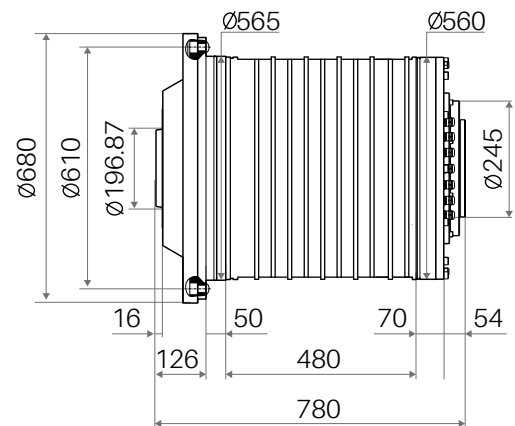
## MODEL: BCES-A211WA-4050-400/2000



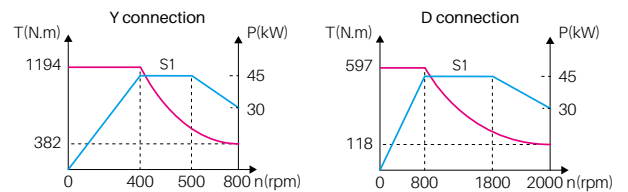
### ◆ Electrical Specifications

Rated Power kW	Rated Current A	Rated Torque N·m
50	95/94	1194/597
Rated Speed rpm	Max. Speed rpm	Type of motor
400/800	800/2000	Asynchronous
Pole No.	Lubrication	Type of cooling
6	Grease	Liquid cooling
Chuck coupling	External cone accuracy mm	Through hole mm
A2-11	0.004	80
Brake	Positioning accuracy "	Weight kg
Optional	60/±7.5	1000

### ◆ Overall Dimensions



### ◆ Power Torque Curves



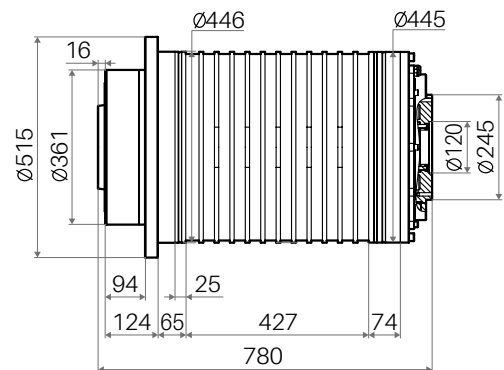
## MODEL: BCES-A211WD-4022-350/2000



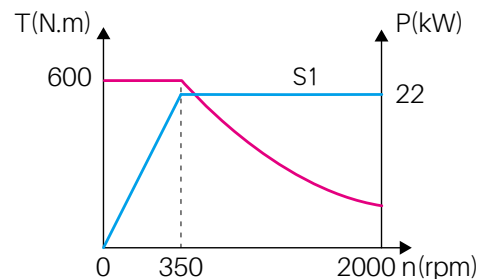
### ◆ Electrical Specifications

Rated Power kW	Rated Current A	Rated Torque N·m
22	73.2	600
Rated Speed rpm	Max. Speed rpm	Type of motor
350	2000	Asynchronous
Pole No.	Lubrication	Type of cooling
8	Grease	Liquid cooling
Chuck coupling	External cone accuracy mm	Through hole mm
A2-11	0.003	80
Brake	Positioning accuracy "	Weight kg
Optional	60/±7.5	680

### ◆ Overall Dimensions



### ◆ Power Torque Curves



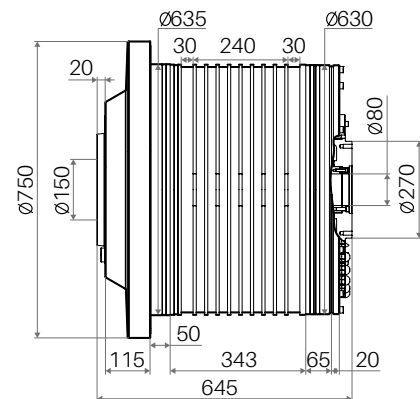
## MODEL: BCES-A215W-4045-350/2000



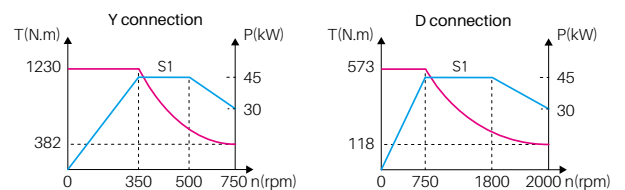
### ◆ Electrical Specifications

Rated Power kW	Rated Current A	Rated Torque N·m
45	95/88	1230/573
Rated Speed rpm	Max. Speed rpm	Type of motor
350/750	750/2000	Asynchronous
Pole No.	Lubrication	Type of cooling
6	Grease	Liquid cooling
Chuck coupling	External cone accuracy mm	Through hole mm
A2-15	0.004	80
Brake	Positioning accuracy "	Weight kg
Optional	60/±7.5	1100

### ◆ Overall Dimensions



### ◆ Power Torque Curves



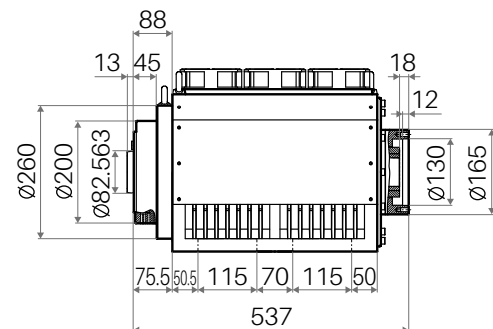
## MODEL: BCES-A205FS-4011-2500/5000



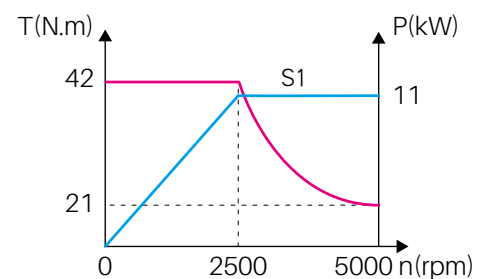
### ◆ Electrical Specifications

Rated Power kW	Rated Current A	Rated Torque N·m
11	21	42
Rated Speed rpm	Max. Speed rpm	Type of motor
2500	5000	Synchronous
Pole No.	Lubrication	Type of cooling
8	Grease	Liquid cooling
Chuck coupling	External cone accuracy mm	Through hole mm
A2-5	0.003	56
Brake	Positioning accuracy "	Weight kg
Optional	90/±7.5	173

### ◆ Overall Dimensions



### ◆ Power Torque Curves



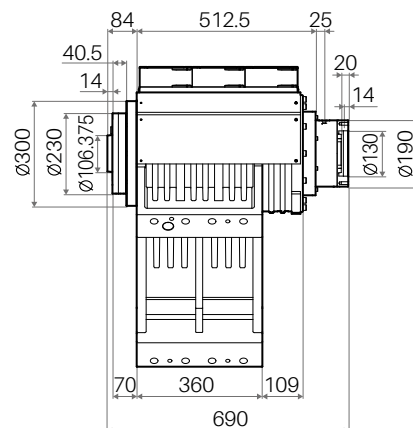
## MODEL: BCES-A206FS-4022-2000/4000-T52



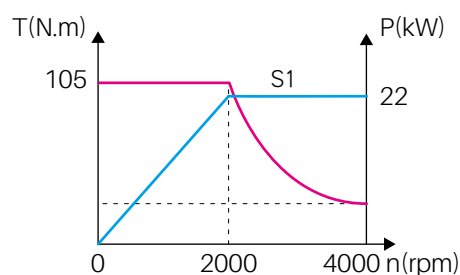
### ◆ Electrical Specifications

Rated Power kW	Rated Current A	Rated Torque N·m
22	43	105
Rated Speed rpm	Max. Speed rpm	Type of motor
2000	4000	Synchronous
Pole No.	Lubrication	Type of cooling
8	Grease	Liquid cooling
Chuck coupling	External cone accuracy mm	Through hole mm
A2-6	0.003	67
Brake	Positioning accuracy "	Weight kg
Optional	60/±7.5	394

### ◆ Overall Dimensions



### ◆ Power Torque Curves



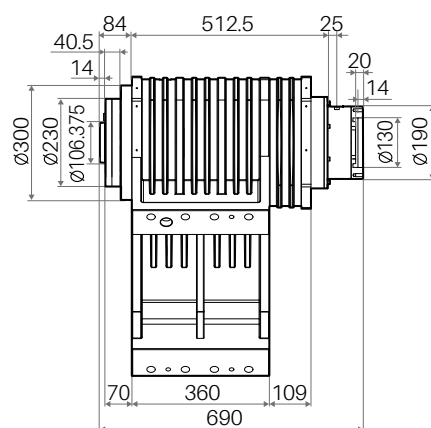
## MODEL: BCES-A206WS-4030-2000-4500-AT52



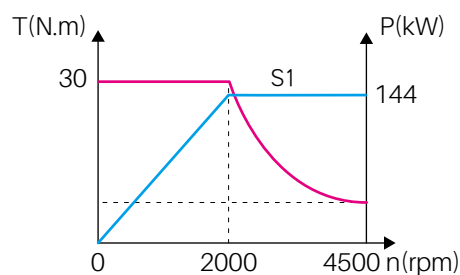
### ◆ Electrical Specifications

Rated Power kW	Rated Current A	Rated Torque N·m
30	63	144
Rated Speed rpm	Max. Speed rpm	Type of motor
2000	4500	Synchronous
Pole No.	Lubrication	Type of cooling
8	Grease	Liquid cooling
Chuck coupling	External cone accuracy mm	Through hole mm
A2-6	0.003	67
Brake	Positioning accuracy "	Weight kg
Optional	60/±7.5	384

### ◆ Overall Dimensions



### ◆ Power Torque Curves



STRIVE FOR CONTINUAL SELF-RENEWAL KEEP PACE WITH THE WORLD



Professional manufacturer of mechatronics products



Address: No. 9, 6th Yunxi Road, Miyun Economic Development  
Zone, Beijing (101500)  
Tel: 010-69076533  
Fax: 010-69076577  
<http://www.ctb.com.cn>  
24 h national toll-free service line: 400-888-9055



WeChat



Tiktok

Due to constant technological improvements, texts, drawings and technical data in the manual may be changed without prior notice.